



VersaLux Downlight Module

LED

LED Light Engine

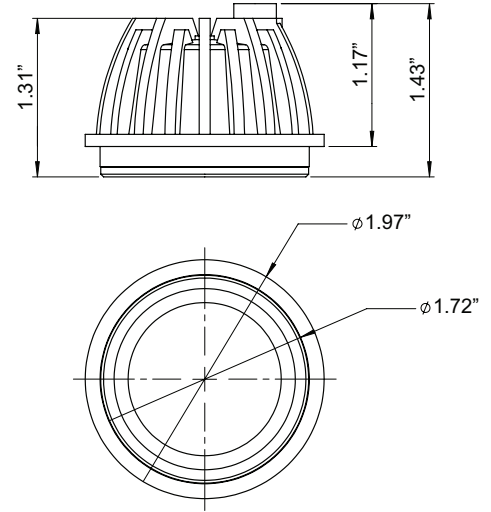
for use in linear hybrid and downlight enclosures

Series VDM

Starfire native LED downlight module for use in our linear hybrid slot, surface mount and pendants as open aperture, pinhole, splay and in-lens downlight point sources. Also for use in various stand-alone downlight fixtures.

Features

- High quality single point source light eliminates multi-shadow imaging
- Operational with commercial quality, high efficiency, low electrical noise, high power factor drivers
- Fully dimmable
- 25° or 40° beam angles to meet precise lighting requirements
- Factory programmable custom light output up to 750 lm/module
- 2700K, 3000K, 3500K and 4000K
- 80+ or 90+ CRI
- 2700 to 6500K 90 CRI high output Tunable White option
- High efficacy LEDs deliver up to 116 lm/wt including driver losses
- 50,000+ hours



25° Spot

80 CRI

80 CRI		4000K		3500K		3000K		2700K	
Output Setting	Lumens	Watts	Lm/Wt	Watts	Lm/Wt	Watts	Lm/Wt	Watts	Lm/Wt
S Standard	350	3.3	105.0	3.4	104.3	3.5	100.7	3.7	95.7
H High	500	5.0	100.4	5.0	99.8	5.2	96.2	5.5	91.2
M Maximum*	750	8.1	92.9	8.1	92.2	8.5	88.7	9.0	83.7

40° Flood

80 CRI		4000K		3500K		3000K		2700K	
Output Setting	Lumens	Watts	Lm/Wt	Watts	Lm/Wt	Watts	Lm/Wt	Watts	Lm/Wt
S Standard	350	3.0	115.1	3.1	114.4	3.2	110.5	3.3	105.1
H High	500	4.5	110.6	4.6	109.8	4.7	106.0	5.0	100.5
M Maximum*	750	7.3	103.0	7.3	102.3	7.6	98.4	8.1	93.0

Lens Options

Lens	Filter
S Spot, 20°	Clear
F Flood, 40°	Clear
D Diffuser	Frosted
O Solite	Clear
H Hexcel	Louver

25° Spot

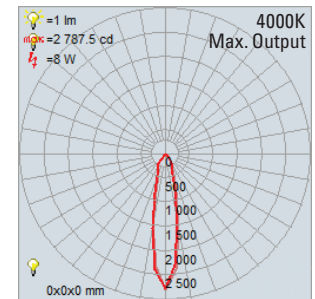
90 CRI

90 CRI		4000K		3500K		3000K		2700K	
Output Setting	Lumens	Watts	Lm/Wt	Watts	Lm/Wt	Watts	Lm/Wt	Watts	Lm/Wt
S Standard	350	4.0	88.5	4.0	87.4	4.1	86.4	4.5	78.5
H High	500	6.0	84.0	6.0	82.9	6.1	81.9	6.8	74.0
M Maximum*	600	7.4	80.9	7.5	79.9	7.6	78.8	8.5	70.9

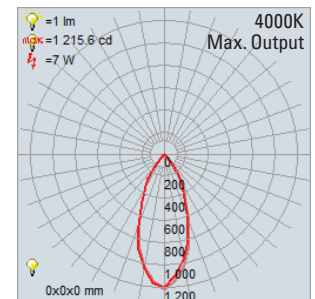
40° Flood

90 CRI		4000K		3500K		3000K		2700K	
Output Setting	Lumens	Watts	Lm/Wt	Watts	Lm/Wt	Watts	Lm/Wt	Watts	Lm/Wt
S Standard	350	3.6	97.2	3.6	96.0	3.7	94.9	4.1	86.3
H High	500	5.4	92.6	5.5	91.5	5.5	90.3	6.1	81.8
M Maximum*	600	6.7	89.6	6.8	88.5	6.9	87.3	7.6	78.7

25° Spot – Clear



40° Flood – Clear



* Max. output not available for splay and in-lens pinhole aperture fixtures



STARFIRE LIGHTING, INC.
 7 Donna Drive, Wood-Ridge, NJ 07075
 starfirelighting.com

P 201.438.9540
 F 201.438.9541

All designs and drawings are the property of STARFIRE LIGHTING, INC. We reserve the right to make changes to specifications and approved designs at any time without notice to facilitate manufacturing methods to the extent that such changes do not compromise design integrity. All performance specifications are subject to +/- 10% deviation.