

TABLE OF CONTENTS

TECHTRAC LF LINEAR FLUORESCENT

	T5	
Remote Ballast	050 Single Lamp	42
Integral Ballast	150 Single Lamp	43
	T8	
Remote Ballast	050 Single Lamp	48
Integral Ballast	175 Single Lamp	49

TECHTRAC™ LF

Linear Fluorescent

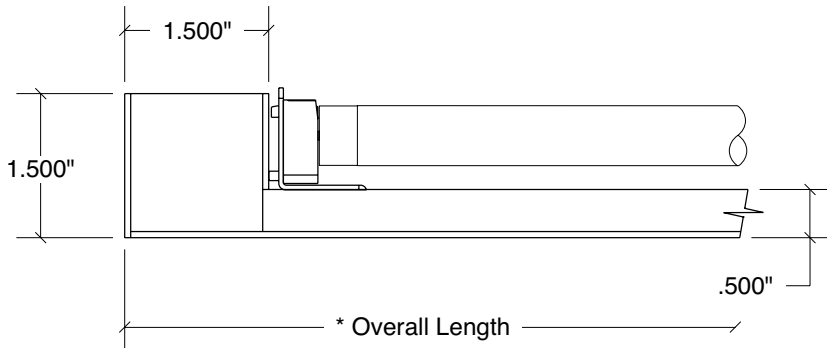
Product Code:

050 - _____ T5HE - _____ - _____ - RMT
 (Wattage) (Length) (Finish)

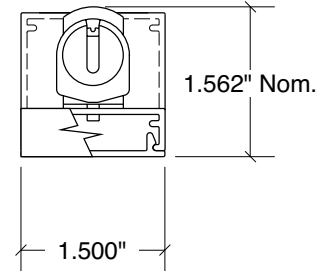
Fixture Type:

050 / T5 - Single Lamp / Remote HPF Electronic Ballast

LF / T5

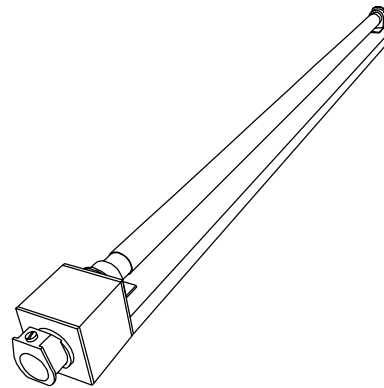


Side View
Scale: 1:2



End View
Scale: 1:2

		* Overall Length
Wattage (Check One)	<input type="checkbox"/> 14 watt <input type="checkbox"/> 24 watt HO	24.188"
	<input type="checkbox"/> 21 watt <input type="checkbox"/> 39 watt HO	35.938"
	<input type="checkbox"/> 28 watt <input type="checkbox"/> 54 watt HO	47.812"
	<input type="checkbox"/> 35 watt <input type="checkbox"/> 80 watt HO	59.625"



Perspective View
Scale: NTS

Notes

1-Fixture ambient temperature **not to exceed** 100°F. Fixture is NYC approved Calendar No. 37559.

2-Unless otherwise specified, all exposed metal parts to have a standard semi-gloss White painted finish. Consult factory for alternate finishes.

3-Lamps provided by others. Recommended Lamps to be T5 fluorescent. Warning, risk of fire. Do not exceed maximum recommended wattage.

4-Fixture provided with Ø.875" knockout centered on one end cap.

5-Fixture is intended to be powered by remote high power factor electronic ballast; **primary voltage as specified**. Length of wiring not to exceed 10' distance from fixture.

Finishes	
<input type="checkbox"/> WH	White Paint (Std)
<input type="checkbox"/> Custom	(Specify)
Power Option	
<input type="checkbox"/> 120 VAC	
<input type="checkbox"/> 277 VAC	
<input type="checkbox"/> Dimming	(Consult Factory)



Starfire Lighting, Inc.

7 Donna Drive, Wood-Ridge, NJ 07075
 (201) 438-9540 FAX: (201) 438-9541
 Toll Free: (800) 443-8823
 E-Mail: info@starfirelighting.com

Date:

Starfire Agent:

Drawing No:

0221

Project:

Specified by:

All designs and scale drawings shall remain the property of STARFIRE LIGHTING, INC., and may not be reproduced or transmitted without the expressed written consent of the manufacturer.

STARFIRE LIGHTING, INC. reserves the right to make changes on approved designs to facilitate manufacturing methods to the extent that such changes do not compromise design integrity.

TECHTRAC™ LF

Linear Fluorescent

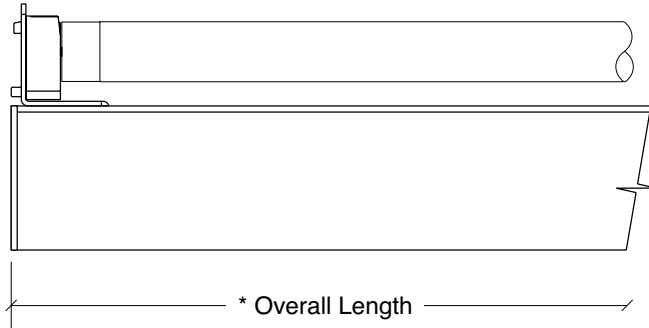
Product Code:

150 - _____ T5HE - _____ - _____
 (Wattage) (Length) (Finish)

Fixture Type:

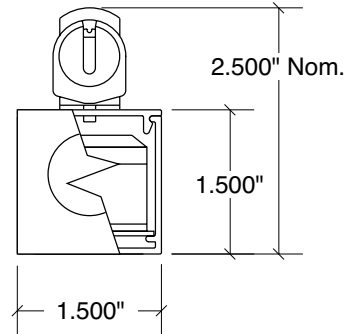
LF / T5

150 / T5 - Single Lamp / Integral HPF Electronic Ballast



Side View

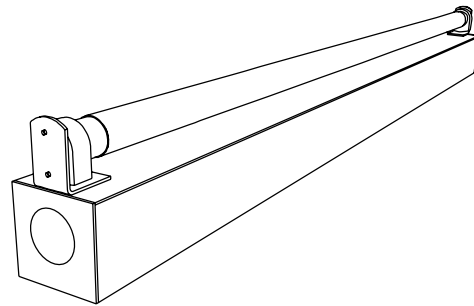
Scale: 1:2



End View

Scale: 1:2

		* Overall Length 1LP	* Overall Length 2LP
Wattage (Check One)	<input type="checkbox"/> 14 watt <input type="checkbox"/> 24 watt HO	22.688"	45.438"
	<input type="checkbox"/> 21 watt <input type="checkbox"/> 39 watt HO	34.438"	68.938"
	<input type="checkbox"/> 28 watt <input type="checkbox"/> 54 watt HO	46.312"	92.688"
	<input type="checkbox"/> 35 watt <input type="checkbox"/> 80 watt HO	58.125"	N/A



Perspective View

Scale: NTS

Notes

1-Fixture ambient temperature **not to exceed** 100° F. Fixture is NYC approved Calendar No. 37559.

2-Unless otherwise specified, all exposed metal parts to have a standard semi-gloss White painted finish. Consult factory for alternate finishes.

3-Lamps provided by others. Recommended Lamps to be T5 fluorescent. Warning, risk of fire. Do not exceed maximum recommended wattage.

4-Fixture provided with Ø.875" knockout centered on each end cap.

5-Fixture is intended to be powered by integral high power factor electronic ballast; **primary voltage as specified.**

Finishes	
<input type="checkbox"/> WH	White Paint (Std)
<input type="checkbox"/> Custom	(Specify)
Power Option	
<input type="checkbox"/> 120 VAC	
<input type="checkbox"/> 277 VAC	
<input type="checkbox"/> Dimming	(Consult Factory)



Starfire Lighting, Inc.

7 Donna Drive, Wood-Ridge, NJ 07075
 (201) 438-9540 FAX: (201) 438-9541
 Toll Free: (800) 443-8823
 E-Mail: info@starfirelighting.com

Date:

Starfire Agent:

Drawing No:

0220

Project:

Specified by:

All designs and scale drawings shall remain the property of STARFIRE LIGHTING, INC., and may not be reproduced or transmitted without the expressed written consent of the manufacturer.

STARFIRE LIGHTING, INC. reserves the right to make changes on approved designs to facilitate manufacturing methods to the extent that such changes do not compromise design integrity.

TECHTRAC™ LF

Linear Fluorescent

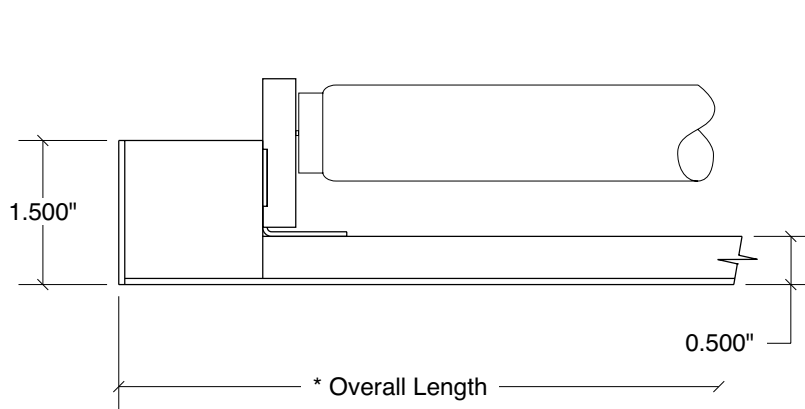
Product Code:

050 - _____ T8HE - _____ - _____ - RMT
 (Wattage) (Length) (Finish)

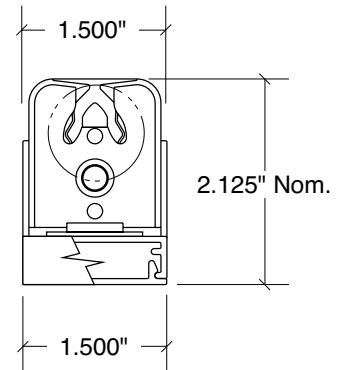
Fixture Type:

050 / T8 - Single Lamp / Remote HPF Electronic Ballast

LF / T8

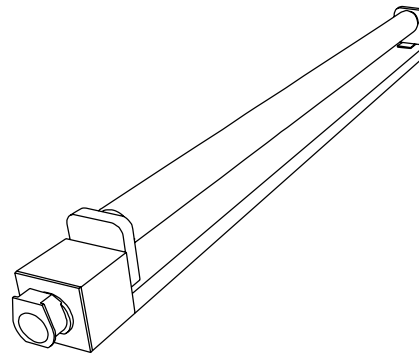


Side View
Scale: 1:2



End View
Scale: 1:2

		* Overall Length
Wattage (Check One)	<input type="checkbox"/> 17 watt	25.500"
	<input type="checkbox"/> 25 watt	37.500"
	<input type="checkbox"/> 32 watt	49.500"
	<input type="checkbox"/> 40 watt	61.500"



Perspective View
Scale: NTS

Notes:

1-Fixture ambient temperature **not to exceed** 100° F. Fixture is NYC approved Calendar No. 37559.

2-Unless otherwise specified, all exposed metal parts to have a standard semi-gloss White painted finish. Consult factory for alternate finishes.

3-Lamps provided by others. Recommended Lamps to be T8 fluorescent. Warning, risk of fire. Do not exceed maximum recommended wattage.

4-Fixture provided with Ø.875" knockout centered on one end cap.

5-Fixture is intended to be powered by remote high power factor electronic ballast; **primary voltage as specified**. Length of wiring not to exceed 10' distance from fixture.

Finishes

- WH White Paint (Std)
- Custom (Specify)

Power Option

- 120 VAC
- 277 VAC
- Dimming (Consult Factory)



Starfire Lighting, Inc.

7 Donna Drive, Wood-Ridge, NJ 07075
 (201) 438-9540 FAX: (201) 438-9541
 Toll Free: (800) 443-8823
 E-Mail: info@starfirelighting.com

Date:

Starfire Agent:

Drawing No:

0231

Project:

Specified by:

All designs and scale drawings shall remain the property of STARFIRE LIGHTING, INC., and may not be reproduced or transmitted without the expressed written consent of the manufacturer.

STARFIRE LIGHTING, INC. reserves the right to make changes on approved designs to facilitate manufacturing methods to the extent that such changes do not compromise design integrity.

TECHTRAC™ LF

Linear Fluorescent

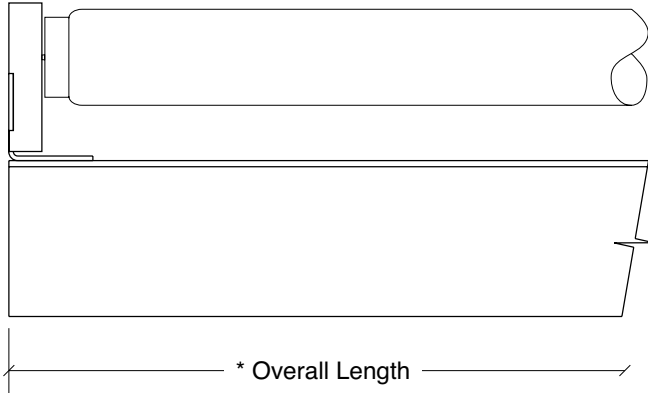
Product Code:

175 - _____ T8HE - _____ - _____
 (Wattage) (Length) (Finish)

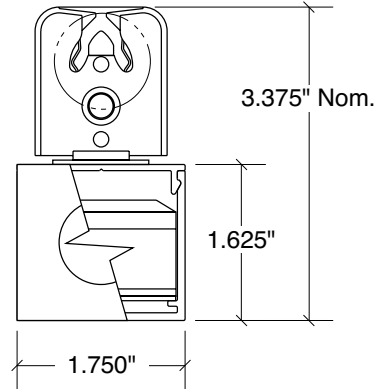
Fixture Type:

LF / T8

175 / T8 - Single Lamp / Integral HPF Electronic Ballast

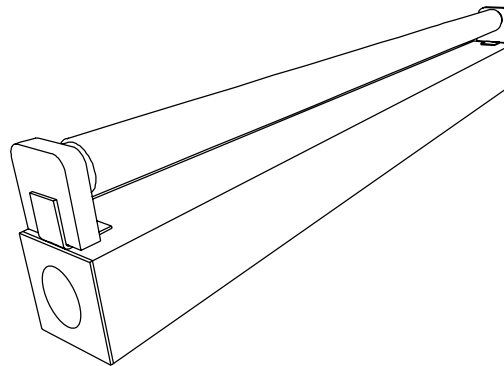


Side View
Scale: 1:2



End View
Scale: 1:2

		* Overall Length 1LP	* Overall Length 2LP
Wattage (Check One)	<input type="checkbox"/> 17 watt	24.000"	48.000"
	<input type="checkbox"/> 25 watt	36.000"	72.000"
	<input type="checkbox"/> 32 watt	48.000"	96.000"
	<input type="checkbox"/> 40 watt	60.000"	N/A



Perspective View
Scale: NTS

Notes

- 1-Fixture ambient temperature **not to exceed** 100° F. Fixture is NYC approved Calendar No. 37559.
- 2-Unless otherwise specified, all exposed metal parts to have a standard semi-gloss White painted finish. Consult factory for alternate finishes.
- 3-Lamps provided by others. Recommended Lamps to be T8 fluorescent. Warning, risk of fire. Do not exceed maximum recommended wattage.
- 4-Fixture provided with Ø.875" knockout centered on each end cap.
- 5-Fixture is intended to be powered by integral high power factor electronic ballast; **primary voltage as specified.**

Finishes	
<input type="checkbox"/> WH	White Paint (Std)
<input type="checkbox"/> Custom	(Specify)
Power Option	
<input type="checkbox"/> 120 VAC	
<input type="checkbox"/> 277 VAC	
<input type="checkbox"/> Dimming	(Consult Factory)



Starfire Lighting, Inc.

7 Donna Drive, Wood-Ridge, NJ 07075
 (201) 438-9540 FAX: (201) 438-9541
 Toll Free: (800) 443-8823
 E-Mail: info@starfirelighting.com

Date:	Starfire Agent:	Drawing No: 0230
-------	-----------------	----------------------------

Project:

Specified by:

All designs and scale drawings shall remain the property of STARFIRE LIGHTING, INC., and may not be reproduced or transmitted without the expressed written consent of the manufacturer.

STARFIRE LIGHTING, INC. reserves the right to make changes on approved designs to facilitate manufacturing methods to the extent that such changes do not compromise design integrity.