

# 2" LED Direct Utility - Surface Mount

LED

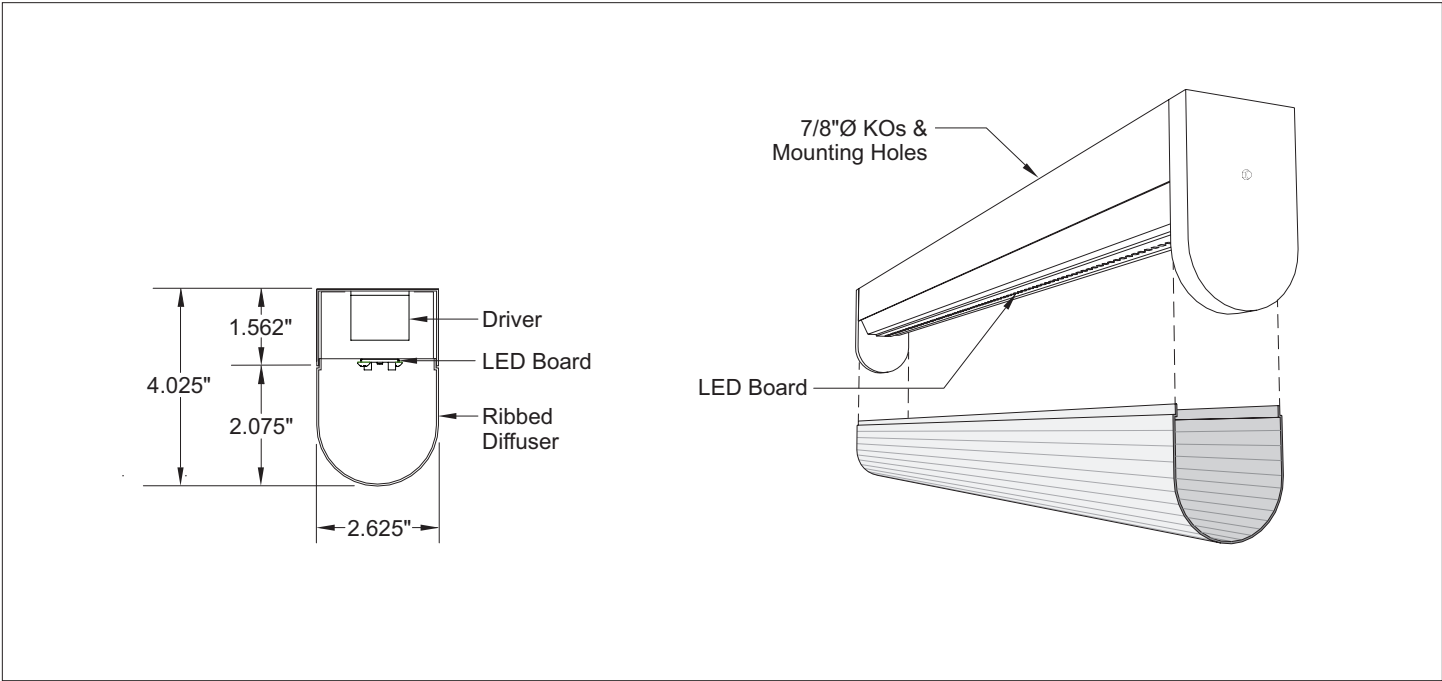


Linear Surface Mount Utility Fixture with Snap-in Radius Lens

SDU2

Job Name

Fixture Type



CRI	Color Temperature	Output	Dimming	Length(")	Configuration
<b>8</b> 80+	<b>27</b> 2700K (90CRI only)	<b>S</b> Standard	<b>S</b> Std. 0-10V 1%	<i>Nominal:</i>	<b>S</b> Stand Alone, Std.
<b>9</b> 90+	<b>30</b> 3000K	<b>H</b> High	<b>L</b> Lutron 1% <sup>(3)</sup>	<b>24</b>	<b>J</b> Joining
<b>R</b> RGB & RGBW	<b>35</b> 3500K	<b>M</b> Maximum	<b>D</b> DALI 1%	<b>36</b>	
	<b>40</b> 4000K	<i>Custom:</i>	<b>P</b> PoE <sup>(3)</sup>	<b>48</b>	
	<b>TW</b> Tunable White <sup>(1)(2)</sup>	<i>Specify Lm/Ft<sup>(3)</sup></i>	<b>2</b> Wire (phase-cut) <sup>(3)</sup>	<i>(see Page 2)</i>	
	<b>DW</b> Dim-to-Warm <sup>(1)(2)</sup>	<b>F</b> Fixed (RGBs)	<b>T</b> Step (10%-70%)		
	<b>GB</b> RGB		<b>W</b> Wireless <sup>(3)</sup>		
	<b>G3</b> RGBW 3000K		<b>X</b> DMX (RGBs)		
	<b>G5</b> RGBW 3500K				

Product Code Example: SDU2-830HS-24-S-W

Linear cost-effective surface mount utility fixture utilizing high performance LED boards and ribbed acrylic, snap-in radius diffusion lenses. Ideal for use in back office, storage, warehouse, factory and other utility-type environments.

### Features

- Starfire's proprietary EvenGlow™ system provides uniform illumination from end-to-end and around the entire lens radius, without lamp imaging, bright spots or shadows
- Exceptional lumen per watt efficiency
- Standard lengths may be joined to form continuous runs with joining bands

### Fixture Specifications

- Housing: 20 gauge cold rolled steel
- Finish: White (std), custom available
- Weight: Approx. 2 lbs. per linear foot
- UL Listed, (indoor non-condensing)

### Electrical

- Power consumption: Per specification based on LED configuration
- Input Voltage: 120-277V universal driver
- Ambient operating range: -4 °F to +100 °F
- Integral electronic drivers
- RGB & RGBW Power Supply and DMX Decoder may be external
- Integral wiring bus between fixture sections
- Dimming: 0-10V 1% std., contact factory for options

### Mounting

- Pre-drilled mounting holes and KO's at top of housing. Consult factory for special conditions
- Standard configuration is Stand Alone with end caps on both ends
- Optional Joining configuration includes a wrap-around band to couple two fixtures and an internal plug-in wiring bus to allow a single power/dimming feed for multiple section fixtures

### Options (Consult factory)

- Occupancy sensor, daylight control module
- EM battery pack in 4ft fixtures only. Delivers 1000+ total lumens for 90 mins (depending upon configuration). Not for use with RGBs

White LED Specifications: Page 2

<sup>(1)</sup> 90 CRI, 2700K-6500K std., others available. Specify CCT range  
<sup>(2)</sup> 0-10V Control, std., others available – Specify (Factory to confirm)  
<sup>(3)</sup> Specify – Factory to confirm



STARFIRE LIGHTING, INC.  
 7 Donna Drive, Wood-Ridge, NJ 07075  
 starfirelighting.com

P 201.438.9540  
 F 201.438.9541

All designs and drawings are the property of STARFIRE LIGHTING, INC. We reserve the right to make changes to specifications and approved designs at any time without notice to facilitate manufacturing methods to the extent that such changes do not compromise design integrity. All performance specifications are subject to +/- 10% deviation.

**SDU2**

**Fixture Dimensions**

**Fixture Overall Length**

Nominal	Actual
24"	24.25"
36"	36.25"
48"	48.25"

**White LEDs**

High output edge-to-edge, end-to-end illumination

- Choice of lumen output levels:
  - S:** Standard
  - H:** High
  - M:** Maximum
  - C:** Custom (between 200 and 1100 Lm/Ft) depending upon configuration.
  - High Output option:** Up to 2000 Lm/Ft, consult factory )
- LED Efficiency: Up to 160 Lm/Wt at Maximum output and 180 Lm/Wt at Standard power (at 80+ CRI)
- 2700K, 3000K, 3500K, 4000K, TW, and DW
- CRI: 80+ and 90+
- Proprietary in-house, ultra-tight Vf binned LEDs for uniform intensity
- Color Consistency: Equal or better than 3 SCDM with chip mixing
- L70: 50,000+ hours at Maximum output
- 5 year limited warranty\*

**Fixture Efficacy**

80 CRI		4000K		3500K		3000K		2700K (90 CRI)	
Output Setting	Lm/Ft	Wt/Ft	Lm/Wt	Wt/Ft	Lm/Wt	Wt/Ft	Lm/Wt	Wt/Ft	Lm/Wt
<b>S</b> Standard	<b>500</b>	3.5	144.2	3.5	142.8	3.6	137.9	3.9	127.4
<b>H</b> High	<b>700</b>	5.0	140.2	5.0	138.8	5.2	133.9	5.7	123.4
<b>M</b> Maximum	<b>1100</b>	8.3	132.3	8.4	130.9	8.7	126.0	9.5	115.5

LV5

\* See Starfire website for Product Limited Warranty

