

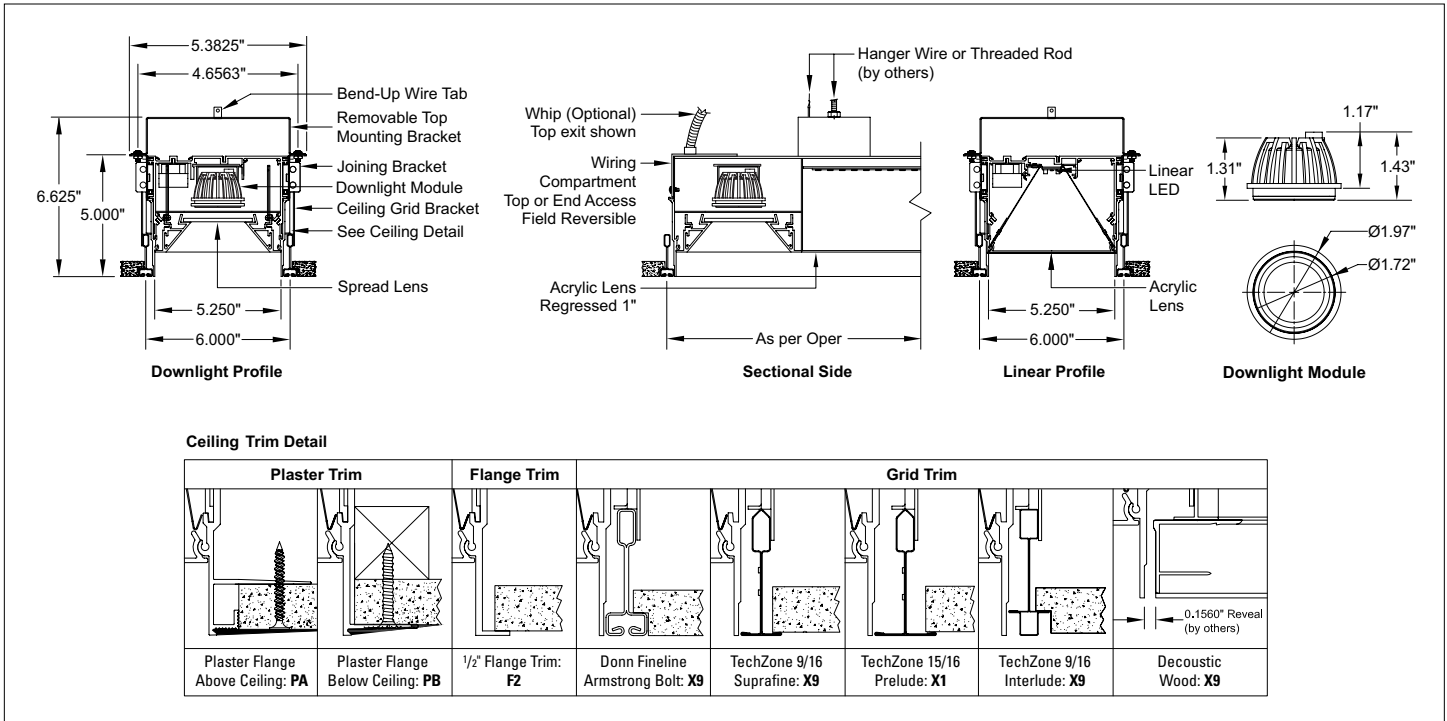


## LED Linear Regressed Lens with Splay Aperture LED Downlight Modules

VSR6 LED

Job Name \_\_\_\_\_

Fixture Type \_\_\_\_\_



Ceiling Trim Detail

Plaster Trim		Flange Trim		Grid Trim			
Plaster Flange Above Ceiling: <b>PA</b>	Plaster Flange Below Ceiling: <b>PB</b>	1/2 Flange Trim: <b>F2</b>	Donn Finline Armstrong Bolt: <b>X9</b>	TechZone 9/16 Suprafine: <b>X9</b>	TechZone 15/16 Prelude: <b>X1</b>	TechZone 9/16 Interlude: <b>X9</b>	Decoustic Wood: <b>X9</b>

LED DOWNLIGHT MODULE						LINEAR LED						
Qty	CRI	Color	Output	Dimming	Lens	CRI	Color	Output	Dimming <sup>(2)</sup>	Length <sup>(*)</sup>	Ceiling Trim	Whip
1	8 80+	27 2700K	S Std.	S Std. (1%) 0-10V	O Solite Std.	8 80+	27 2700K	S Std.	S Std. 0-10V (1%)	Nominal:	PA Plaster Flange Above	N No Whip
2	9 90+ <sup>(1)</sup>	30 3000K	H High	H Lutron Hi-Lume (1%)	F Frosted Solite	9 90+ <sup>(1)</sup>	30 3000K	H High	E Lutron 5 Series (5%)	24 36 48	PB Plaster Flange Below	W Std. Whip
3		35 3500K	Custom: Specify Lumens <sup>(1)</sup>		P Prismatic		35 3500K	M Max.	H Lutron Hi-Lume (1%)	60 72 84	F1 Flange 1"	C Chicago Whip
4		40 4000K			R Frosted Prismatic		40 4000K	Custom: Specify Lm/Ft <sup>(1)</sup>	D DALI (1%)	96 (see Page 3)	F2 Flange 1/2"	
		50 5000K					TW 2700K-6500K		W Wireless <sup>(3)</sup>	Custom: xxx (in inches)	X9 9/16 Grid Trim	
											X1 15/16 Grid Trim	

Product Code Example: VSR6-3D830HHF-L830HE-120-X9-WN

Linear regressed lens slot utilizing high performance LED boards, full reflectors and snap-in lenses with Splay aperture LED downlight module compartment(s). Available with plaster, flange or grid trim options. Downlight module(s) utilize a high performance COB component and reflector behind a clear lens. Splay aperture: Clear Solite spread lens, std.

### Features

- Starfire's proprietary EvenGlow™ system provides uniform illumination from end-to-end without lamp imaging, bright spots or shadows at any length.
- Fixtures fabricated to any length without custom engineering
- Exceptional lumen per watt efficiency
- High efficiency, low cost, dynamic Tunable White option
- Future proof LED boards sourced from world's leading suppliers
- Quick-Connect lighting modules plug together

### Fixture Specifications

- Housing/Trim: Heavy-duty extruded aluminum
- Finish: White (std), custom available
- Weight: Approx. 3.8 lbs. per linear foot, plus 1.5 lbs. per downlight module
- UL Listed, (indoor non-condensing) & CCEA Approved
- LED specifications/photometry: Page 2
- VDM downlight spec sheet: Page 4

### Electrical

- Power consumption: Per specification based on LED configuration
- Input Voltage: 120-277V universal driver
- Ambient operating range: -4 °F to +100 °F
- Integral electronic drivers
- Independent linear and downlight circuiting
- Integral wiring buss between fixture sections
- Drivers with full dimming range at any output choice
- 1% Dimming: 0-10V standard (included), consult factory for other options

### Mounting

- Universal mounting brackets provided. Contact factory for alternate mounting
- Easy Access wiring compartment – all connections can be made without disassembling the fixture. 7/8" knockouts provided for top or end.

Ceiling Cutout: Refer to Page 3

### Options (Consult factory)

- 6 ft armored whip, may be factory installed
- Occupancy sensor, daylight control module
- EM pack in 4ft segments. Delivers 800+ total lumens for 90 mins. Specify location (+/- 2ft) at time of order
- HVAC, fire sprinkler, surveillance or public address systems integration

(1) Factory to confirm availability

(2) For high performance dimming below 125 lm/ft, contact factory

(3) Specify wireless system



STARFIRE LIGHTING, INC.  
7 Donna Drive, Wood-Ridge, NJ 07075  
starfirelighting.com

P 201.438.9540  
F 201.438.9541

All designs and scaled drawings shall remain the property of STARFIRE LIGHTING, INC., and may not be reproduced or transmitted without expressed written consent. STARFIRE LIGHTING, INC., reserves the right to make changes on approved designs to facilitate manufacturing methods to the extent that such changes do not compromise design integrity.

# Regressed Lens Slot with Splay Aperture LED Downlight Modules

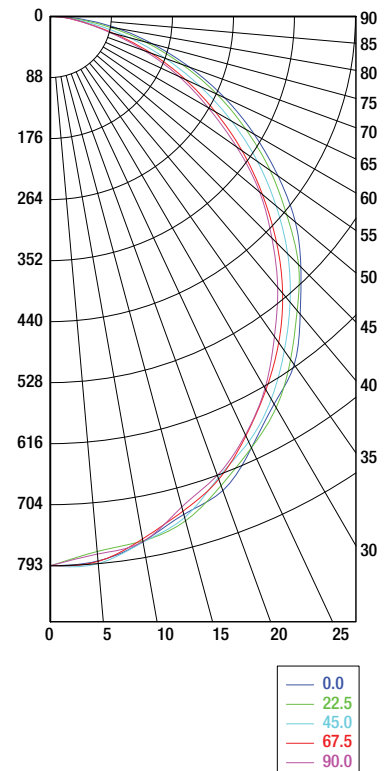
## VSR6 LED

## Linear Photometrics 4000K

### LED Strip

High output edge-to-edge, end-to-end illumination

- Choice of lumen output levels:
  - S:** Standard
  - H:** High
  - M:** Maximum
  - C:** Custom (between 400 and 1000 Lm/Ft)
- LED Efficiency: Up to 160 Lm/Wt at Maximum output and 180 Lm/Wt at Standard power (at 80+ CRI)
- L70: 50,000+ hours at Maximum output
- 2700K, 3000K, 3500K, 4000K and Tunable White: 2700K-6500K
- CRI: 80+ or 90+
- Color Consistency: Equal or better than 3 SCDM with chip mixing
- UL Listed
- 5 year limited warranty\*



### Linear Efficacy

Output Setting (4000K)	Source			Delivered		
	Lm/Ft	Wt/Ft	Lm/Wt	Lm/Ft	Wt/Ft	Lm/Wt
<b>S</b> Standard	647	4.3	151	537	4.8	111
<b>H</b> High	1114	8.0	139	925	9.1	102
<b>M</b> Maximum	1193	8.7	137	990	9.9	100

\* See Starfire website for Product Limited Warranty



STARFIRE LIGHTING, INC.  
7 Donna Drive, Wood-Ridge, NJ 07075  
starfirelighting.com

P 201.438.9540  
F 201.438.9541

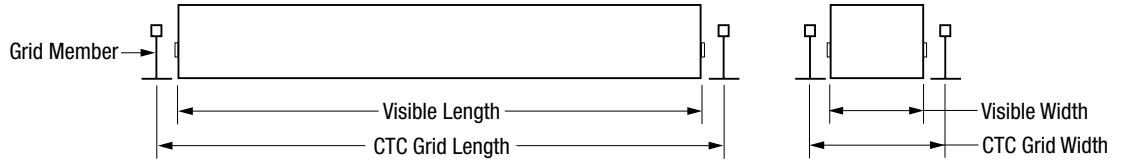
All designs and scaled drawings shall remain the property of STARFIRE LIGHTING, INC., and may not be reproduced or transmitted without expressed written consent. STARFIRE LIGHTING, INC., reserves the right to make changes on approved designs to facilitate manufacturing methods to the extent that such changes do not compromise design integrity.

# Regression Lens Slot with Splay Aperture LED Downlight Modules

## VSR6 LED

## Ceiling Dimensions

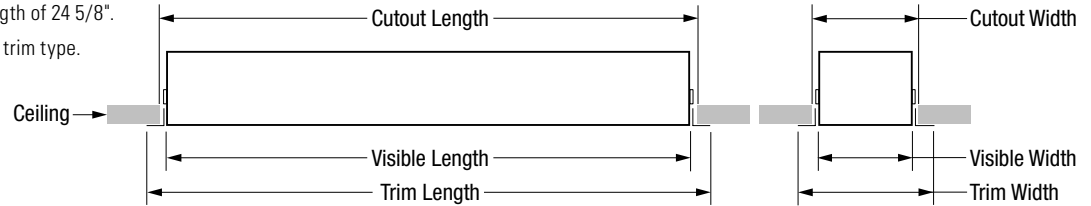
### Grid Ceiling Dimensions



Order CTC Grid Length	9/16", Don Fineline, Decoustic			15/16"		
	Visible Length	Visible Width	CTC Grid Width	Visible Length	Visible Width	CTC Grid Width
24"	23 3/8"	5 3/8"	6"	23"	5 3/8"	6 3/8"
30"	29 3/8"	5 3/8"	6"	29"	5 3/8"	6 3/8"
36"	35 3/8"	5 3/8"	6"	35"	5 3/8"	6 3/8"
48"	47 3/8"	5 3/8"	6"	47"	5 3/8"	6 3/8"
60"	59 3/8"	5 3/8"	6"	59"	5 3/8"	6 3/8"
72"	71 3/8"	5 3/8"	6"	71"	5 3/8"	6 3/8"
84"	83 3/8"	5 3/8"	6"	83"	5 3/8"	6 3/8"
90"	89 3/8"	5 3/8"	6"	89"	5 3/8"	6 3/8"
96"	95 3/8"	5 3/8"	6"	95"	5 3/8"	6 3/8"

### Custom Fixture Length Example:

A 24" Nominal Order Length yields a 23 3/8" Visible Length.  
 For a 24" Visible Length, order a Custom Length of 24 5/8".  
 See charts below for length adjustments per trim type.



### Solid Ceiling Dimensions

Nominal Order Length	Visible Length	Visible Width	Plaster Flange			
			Trim Length	Trim Width	Cutout Length	Cutout Width
24"	23 3/8"	5 3/8"	26 3/32"	8 3/32"	24 1/4"	6 1/4"
30"	29 3/8"	5 3/8"	32 3/32"	8 3/32"	30 1/4"	6 1/4"
36"	35 3/8"	5 3/8"	38 3/32"	8 3/32"	36 1/4"	6 1/4"
48"	47 3/8"	5 3/8"	50 3/32"	8 3/32"	48 1/4"	6 1/4"
60"	59 3/8"	5 3/8"	62 3/32"	8 3/32"	60 1/4"	6 1/4"
72"	71 3/8"	5 3/8"	74 3/32"	8 3/32"	72 1/4"	6 1/4"
84"	83 3/8"	5 3/8"	86 3/32"	8 3/32"	84 1/4"	6 1/4"
90"	89 3/8"	5 3/8"	92 3/32"	8 3/32"	90 1/4"	6 1/4"
96"	95 3/8"	5 3/8"	98 3/32"	8 3/32"	96 1/4"	6 1/4"
Custom Order Length	Order Length - 5/8"	5 3/8"	Order Length + 2 3/32"	8 3/32"	Order Length + 1/4"	6 1/4"

Nominal Order Length	Visible Length	Visible Width	1/2" Flange				Grid Trim (No Flange) <sup>(1)</sup>			
			Trim Length	Trim Width	Cutout Length	Cutout Width	Trim Length	Trim Width	Cutout Length	Cutout Width
24"	23 3/8"	5 3/8"	24 3/16"	6 3/16"	24 1/4"	6 1/4"	24 3/16"	6 3/16"	23 1/2"	5 1/2"
30"	29 3/8"	5 3/8"	30 3/16"	6 3/16"	30 1/4"	6 1/4"	30 3/16"	6 3/16"	29 1/2"	5 1/2"
36"	35 3/8"	5 3/8"	36 3/16"	6 3/16"	36 1/4"	6 1/4"	36 3/16"	6 3/16"	35 1/2"	5 1/2"
48"	47 3/8"	5 3/8"	48 3/16"	6 3/16"	48 1/4"	6 1/4"	48 3/16"	6 3/16"	47 1/2"	5 1/2"
60"	59 3/8"	5 3/8"	60 3/16"	6 3/16"	60 1/4"	6 1/4"	60 3/16"	6 3/16"	59 1/2"	5 1/2"
72"	71 3/8"	5 3/8"	72 3/16"	6 3/16"	72 1/4"	6 1/4"	72 3/16"	6 3/16"	71 1/2"	5 1/2"
84"	83 3/8"	5 3/8"	84 3/16"	6 3/16"	84 1/4"	6 1/4"	84 3/16"	6 3/16"	83 1/2"	5 1/2"
90"	89 3/8"	5 3/8"	90 3/16"	6 3/16"	90 1/4"	6 1/4"	90 3/16"	6 3/16"	89 1/2"	5 1/2"
96"	95 3/8"	5 3/8"	96 3/16"	6 3/16"	96 1/4"	6 1/4"	96 3/16"	6 3/16"	95 1/2"	5 1/2"
Custom Order Length	Order Length - 5/8"	5 3/8"	Order Length + 3/16"	6 3/16"	Order Length + 1/4"	6 1/4"	Order Length + 3/16"	6 3/16"	Order Length - 1/2"	5 1/2"

For lengths over 96", consult factory regarding cutout dimensions.

(1) This trim typically installed before ceiling or from above solid ceiling.



STARFIRE LIGHTING, INC.  
 7 Donna Drive, Wood-Ridge, NJ 07075  
 starfirelighting.com

P 201.438.9540  
 F 201.438.9541

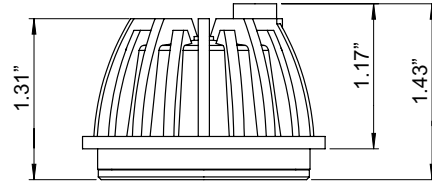
All designs and scaled drawings shall remain the property of STARFIRE LIGHTING, INC., and may not be reproduced or transmitted without expressed written consent. STARFIRE LIGHTING, INC., reserves the right to make changes on approved designs to facilitate manufacturing methods to the extent that such changes do not compromise design integrity.

# VersaLux Downlight Module



## LED Light Engine

for use in linear hybrid and downlight enclosures



### Series VDM

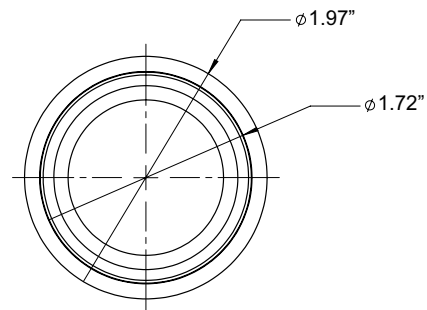
Starfire native LED downlight module for use in our linear hybrid slot, surface and pendant fixtures as open, pinhole, splay and in-lens downlight point sources. Also for use in various stand-alone downlight fixtures. This indigenous light engine supersedes the plug-in LED MR16 lamp and offers superior features without the issues associated with such plug-in lamps.

### Features

- High quality single point source light eliminates multi-shadow imaging
- Operational with commercial quality, high efficiency, low electrical noise, high power factor drivers
- 1% Dimmable utilizing 0-10V or Lutron ECO controls
- Available beam angles of 25° or 40° to meet precise lighting requirements
- Factory programmable custom light output up to 600 lm/module
- 2700K, 3000K, 3500K, 4000K and 5000K
- 83 or 93 CRI
- High efficacy LEDs deliver up to 88 lm/wt at the module and 75 lm/wt including driver losses
- Guaranteed operation and dimming without typical lamp/transformer compatibility issues
- 50,000+ hours
- UL Listed, Damp location

### Lens Options

Lens	Filter
<b>S</b> Spot, 25°	Clear
<b>F</b> Flood, 40°	Clear
<b>D</b> Diffuser	Frosted
<b>O</b> Solite	Clear
<b>H</b> Hexcel	Louver



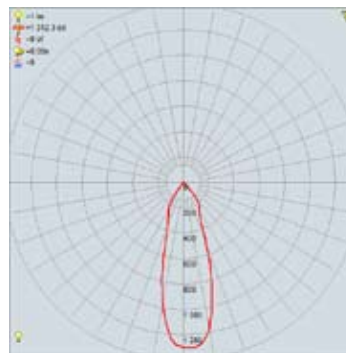
### Module Efficacy

Spot Lens Output Setting (3000K)	Delivered*		
	Lumens	Watts	Lm/Wt
<b>S</b> Standard	400	4.6	86.9
<b>H</b> High	525	6.3	83.3
<b>M</b> Maximum**	600	7.4	81.1

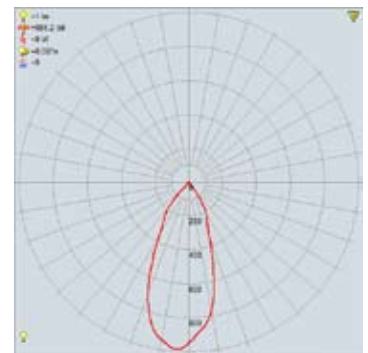
\* Excluding secondary lens and driver loss

\*\* Max. output not available for splay and in-lens pinhole aperture fixtures

### 25° Spot Clear – Max Output



### 40° Flood Clear – Max Output



STARFIRE LIGHTING, INC.  
7 Donna Drive, Wood-Ridge, NJ 07075  
starfirelighting.com

P 201.438.9540  
F 201.438.9541

All designs and scaled drawings shall remain the property of STARFIRE LIGHTING, INC., and may not be reproduced or transmitted without expressed written consent. STARFIRE LIGHTING, INC., reserves the right to make changes on approved designs to facilitate manufacturing methods to the extent that such changes do not compromise design integrity.