

6" VersaLux LED Perimeter Slot

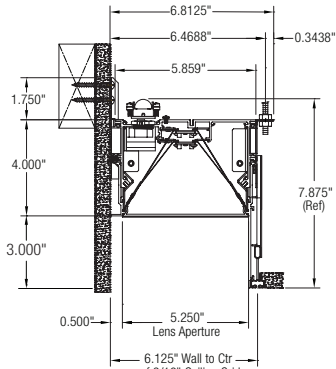
LED

Linear LED Perimeter Slot with Regressed Snap-in Lens

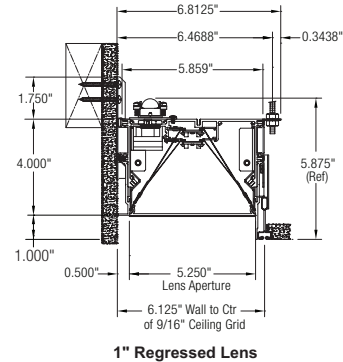
VRP6

Job Name _____

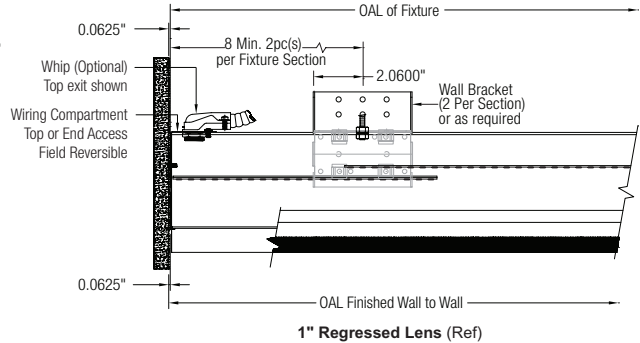
Fixture Type _____



3" Regressed Lens



1" Regressed Lens



Wall Trim Detail

Flange	Reveal
Flush to Wall: F	Reveal to Wall: X

Ceiling Trim Detail (1" Regressed Lens shown)

Plaster Trim		Flange Trim		Grid Trim			
Plaster Flange Above Ceiling: PA	Plaster Flange Below Ceiling: PB	1" Flange Trim: F1	Donn Fineline Armstrong Bolt: X9	TechZone 9/16 Suprafine: X9	TechZone 15/16 Prelude: X1	TechZone 9/16 Interlude: X9	Decoustic Wood: X9

VRP6-L							-W	
CRI	Color	Output	Dimming	Lens Depth	Length(")	Wall Trim	Ceiling Trim	Whip
8 80+	27 2700K (90 CRI only)	S Standard	S Std. 0-10V 1% ⁽³⁾	1 1" Regressed	Nominal:	F Flange	PA Plaster Flange Above	N No Whip
9 90+	30 3000K	H High	H ECO 1%	3 3" Regressed	24 36 48	X Reveal	PB Plaster Flange Below	W Std. Whip
R RGB & RGBW	35 3500K	M Maximum	D DALI 1% ⁽³⁾		60 72 84		F1 Flange 1"	C Chicago Whip
	40 4000K	Custom: Specify Lm/Ft ⁽²⁾	P POE ⁽²⁾		96 (see Page 3)		X9 9/16 Grid Trim	
	TW 2700K-6500K ^{(1),(3)}	F Fixed for RGB & RGBW	W Wireless ⁽²⁾		Custom: xxx (in inches)		X1 15/16 Grid Trim	
	GB RGB Color		X DMX for RGBs					
	G3 RGBW White (3000K only)							

* Fixture must be installed before ceiling

Product Code Example: VRP6-L830HS1-120-X-X9-W-N

Low profile perimeter slot creates an illuminated halo at the wall to ceiling transition as it bathes the wall and casts a wash of light into the room. The linear perimeter slot utilizes high performance LED boards, snap-in regressed lenses and full reflectors. Choice of 1" or 3" regressed lens depth. Available with flanged, grid or plaster frame trim options for the ceiling interface.

Features

- Starfire's proprietary EvenGlow™ system provides uniform illumination from end-to-end without lamp imaging, bright spots or shadows at any length
- Fixtures fabricated to any length without custom engineering
- Exceptional lumen per watt efficiency
- High efficiency, low cost, dynamic Tunable White option
- RGB & RGBW (White 3000K) option
- Quick-Connect lighting modules plug together
- Combine with welded corner Connectors to form small or large scaled patterns of uniform light

Fixture Specifications

- Housing/Trim: Heavy-duty extruded aluminum
- Finish: White (std), custom available
- Weight: Approx. 3.7 lbs. per linear foot
- UL Listed, (indoor non-condensing) & CCEA Approved
- LED specifications: Page 2

Electrical

- Power consumption: Per specification based on LED configuration
- Input Voltage: 120-277V universal driver
- Ambient operating range: -4 °F to +100 °F
- Integral electronic drivers
- Integral wiring bus between fixture sections
- Drivers with full dimming range at any output choice
- Dimming: 0-10V 1% standard (included), contact factory for other options
- RGB/W Dimming: DMX only
- Integral DMX decoder/power supply per configuration

Mounting

- Universal mounting brackets provided. Contact factory for alternate mounting
- Easy Access wiring compartment – all connections can be made without disassembling the fixture. 7/8" knockouts provided for top or end.

Ceiling Cutout: Refer to Page 3

Options (Consult factory)

- 6 ft armored whip, may be factory installed
- Occupancy sensor, daylight control module
- EM pack (Delivers 800+ total lumens for 90 mins). Specify length and location (+/- 2ft) at time of order
- HVAC, fire sprinkler, surveillance or public address systems integration

⁽¹⁾ Other ranges possible – Consult factory

⁽²⁾ Specify – Factory to confirm

⁽³⁾ If Tunable White: Std. 0-10V and DALI only



STARFIRE LIGHTING, INC.
7 Donna Drive, Wood-Ridge, NJ 07075
starfirelighting.com

P 201.438.9540
F 201.438.9541

All designs and drawings are the property of STARFIRE LIGHTING, INC. We reserve the right to make changes to specifications and approved designs at any time without notice to facilitate manufacturing methods to the extent that such changes do not compromise design integrity. All performance specifications are subject to +/- 10% deviation.

VersaLux Perimeter LED Slot, Regressed Snap-in Lens

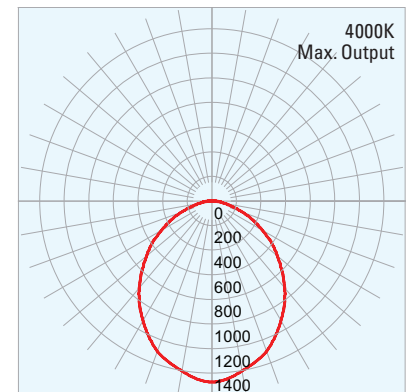
VRP6

White LEDs

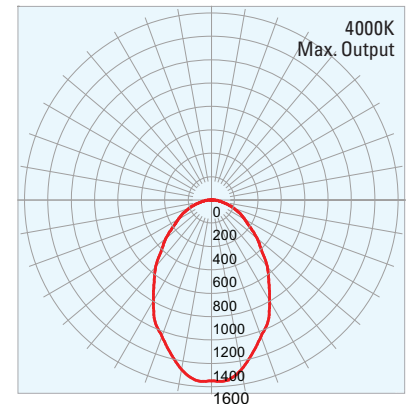
High output edge-to-edge, end-to-end illumination

- Choice of lumen output levels:
 - S:** Standard
 - H:** High
 - M:** Maximum
 - C:** Custom (between 200 and 1100 Lm/Ft) depending upon configuration, consult factory
- LED Efficiency: Up to 160 Lm/Wt at Maximum output and 180 Lm/Wt at Standard power (at 80+ CRI)
- L70: 50,000+ hours at Maximum output
- Proprietary in-house, ultra-tight Vf binned LEDs for uniform intensity
- Color Consistency: Equal or better than 3 SCDM with chip mixing
- L70: 50,000+ hours at Maximum output
- 5 year limited warranty*

1" Regressed Lens



3" Regressed Lens



1" Regressed Lens

80 CRI		4000K		3500K		3000K		2700K (90 CRI only)	
Output Setting	Lm/Ft	Wt/Ft	Lm/Wt	Wt/Ft	Lm/Wt	Wt/Ft	Lm/Wt	Wt/Ft	Lm/Wt
S Standard	500	3.7	134.7	3.7	133.4	3.9	129.5	4.2	119.6
H High	750	5.8	130.1	5.8	128.8	6.0	124.9	6.5	115.1
M Maximum	1000	8.0	125.3	8.1	124.2	8.3	120.2	9.0	110.5

3" Regressed Lens

80 CRI		4000K		3500K		3000K		2700K (90 CRI only)	
Output Setting	Lm/Ft	Wt/Ft	Lm/Wt	Wt/Ft	Lm/Wt	Wt/Ft	Lm/Wt	Wt/Ft	Lm/Wt
S Standard	500	4.1	122.5	4.1	121.3	4.2	117.7	4.6	108.7
H High	750	6.4	117.9	6.4	116.7	6.6	113.1	7.2	104.2
M Maximum	950	8.3	114.2	8.4	113.0	8.7	109.4	9.5	100.5

LV5

RGB & RGBW LEDs

1" Regressed Lens

	Lm/Ft	Wt/Ft	Lm/Wt
RGB (all on)	302	10.4	29.2
White	367	3.9	94.9
RGBW (all on)	669	14.2	47.1

3" Regressed Lens

	Lm/Ft	Wt/Ft	Lm/Wt
RGB (all on)	276	10.4	26.7
White	336	3.9	86.9
RGBW (all on)	613	14.2	43.1

Output adjustable with DMX-512 Control

* See Starfire website for Product Limited Warranty



STARFIRE LIGHTING, INC.
7 Donna Drive, Wood-Ridge, NJ 07075
starfirelighting.com

P 201.438.9540
F 201.438.9541

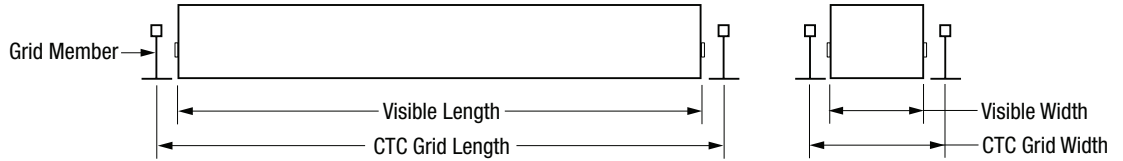
All designs and drawings are the property of STARFIRE LIGHTING, INC. We reserve the right to make changes to specifications and approved designs at any time without notice to facilitate manufacturing methods to the extent that such changes do not compromise design integrity. All performance specifications are subject to +/- 10% deviation.

VersaLux Perimeter LED Slot, Regressed Snap-in Lens

VRP6

Ceiling Dimensions

Grid Ceiling Dimensions



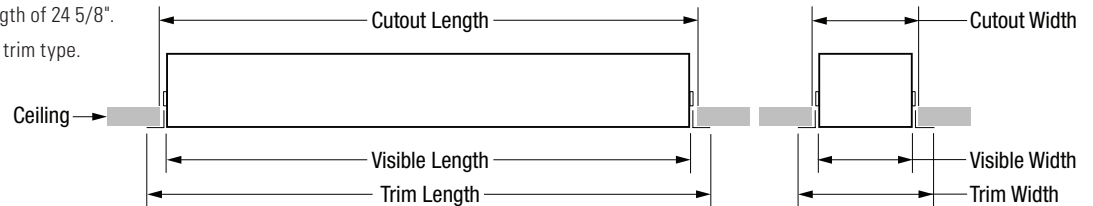
Order CTC Grid Length	9/16", Don Fineline, Decoustic			15/16"		
	Visible Length	Visible Width	CTC Grid Width	Visible Length	Visible Width	CTC Grid Width
24"	23 3/8"	5 3/8"	6"	23"	5 3/8"	6 3/8"
30"	29 3/8"	5 3/8"	6"	29"	5 3/8"	6 3/8"
36"	35 3/8"	5 3/8"	6"	35"	5 3/8"	6 3/8"
48"	47 3/8"	5 3/8"	6"	47"	5 3/8"	6 3/8"
60"	59 3/8"	5 3/8"	6"	59"	5 3/8"	6 3/8"
72"	71 3/8"	5 3/8"	6"	71"	5 3/8"	6 3/8"
84"	83 3/8"	5 3/8"	6"	83"	5 3/8"	6 3/8"
90"	89 3/8"	5 3/8"	6"	89"	5 3/8"	6 3/8"
96"	95 3/8"	5 3/8"	6"	95"	5 3/8"	6 3/8"

Custom Fixture Length Example:

A 24" Nominal Order Length yields a 23 3/8" Visible Length.

For a 24" Visible Length, order a Custom Length of 24 5/8".

See charts below for length adjustments per trim type.



Solid Ceiling Dimensions

Nominal Order Length	Visible Length	Visible Width	Plaster Flange			
			Trim Length	Trim Width	Cutout Length	Cutout Width
24"	23 3/8"	5 3/8"	26 3/32"	8 3/32"	24 1/4"	6 1/4"
30"	29 3/8"	5 3/8"	32 3/32"	8 3/32"	30 1/4"	6 1/4"
36"	35 3/8"	5 3/8"	38 3/32"	8 3/32"	36 1/4"	6 1/4"
48"	47 3/8"	5 3/8"	50 3/32"	8 3/32"	48 1/4"	6 1/4"
60"	59 3/8"	5 3/8"	62 3/32"	8 3/32"	60 1/4"	6 1/4"
72"	71 3/8"	5 3/8"	74 3/32"	8 3/32"	72 1/4"	6 1/4"
84"	83 3/8"	5 3/8"	86 3/32"	8 3/32"	84 1/4"	6 1/4"
90"	89 3/8"	5 3/8"	92 3/32"	8 3/32"	90 1/4"	6 1/4"
96"	95 3/8"	5 3/8"	98 3/32"	8 3/32"	96 1/4"	6 1/4"
Custom Order Length	Order Length - 5/8"	5 3/8"	Order Length + 2 3/32"	8 3/32"	Order Length + 1/4"	6 1/4"

Nominal Order Length	Visible Length	Visible Width	1" Flange				Grid Trim (No Flange) ⁽¹⁾			
			Trim Length	Trim Width	Cutout Length	Cutout Width	Trim Length	Trim Width	Cutout Length	Cutout Width
24"	23 3/8"	5 3/8"	25 3/16"	7 3/16"	24 1/4"	6 1/4"	24 3/16"	6 3/16"	23 1/2"	5 1/2"
30"	29 3/8"	5 3/8"	31 3/16"	7 3/16"	30 1/4"	6 1/4"	30 3/16"	6 3/16"	29 1/2"	5 1/2"
36"	35 3/8"	5 3/8"	37 3/16"	7 3/16"	36 1/4"	6 1/4"	36 3/16"	6 3/16"	35 1/2"	5 1/2"
48"	47 3/8"	5 3/8"	49 3/16"	7 3/16"	48 1/4"	6 1/4"	48 3/16"	6 3/16"	47 1/2"	5 1/2"
60"	59 3/8"	5 3/8"	61 3/16"	7 3/16"	60 1/4"	6 1/4"	60 3/16"	6 3/16"	59 1/2"	5 1/2"
72"	71 3/8"	5 3/8"	73 3/16"	7 3/16"	72 1/4"	6 1/4"	72 3/16"	6 3/16"	71 1/2"	5 1/2"
84"	83 3/8"	5 3/8"	85 3/16"	6 3/16"	84 1/4"	6 1/4"	84 3/16"	6 3/16"	83 1/2"	5 1/2"
90"	89 3/8"	5 3/8"	91 3/16"	7 3/16"	90 1/4"	6 1/4"	90 3/16"	6 3/16"	89 1/2"	5 1/2"
96"	95 3/8"	5 3/8"	97 3/16"	7 3/16"	96 1/4"	6 1/4"	96 3/16"	6 3/16"	95 1/2"	5 1/2"
Custom Order Length	Order Length - 5/8"	5 3/8"	Order Length + 1 3/16"	7 3/16"	Order Length + 1/4"	6 1/4"	Order Length + 3/16"	6 3/16"	Order Length - 1/2"	5 1/2"

For lengths over 96", consult factory regarding cutout dimensions.

(1) This trim typically installed before ceiling or from above solid ceiling.



STARFIRE LIGHTING, INC.
7 Donna Drive, Wood-Ridge, NJ 07075
starfirelighting.com

P 201.438.9540
F 201.438.9541

All designs and drawings are the property of STARFIRE LIGHTING, INC. We reserve the right to make changes to specifications and approved designs at any time without notice to facilitate manufacturing methods to the extent that such changes do not compromise design integrity. All performance specifications are subject to +/- 10% deviation.