

4" VersaLux LED Pendant

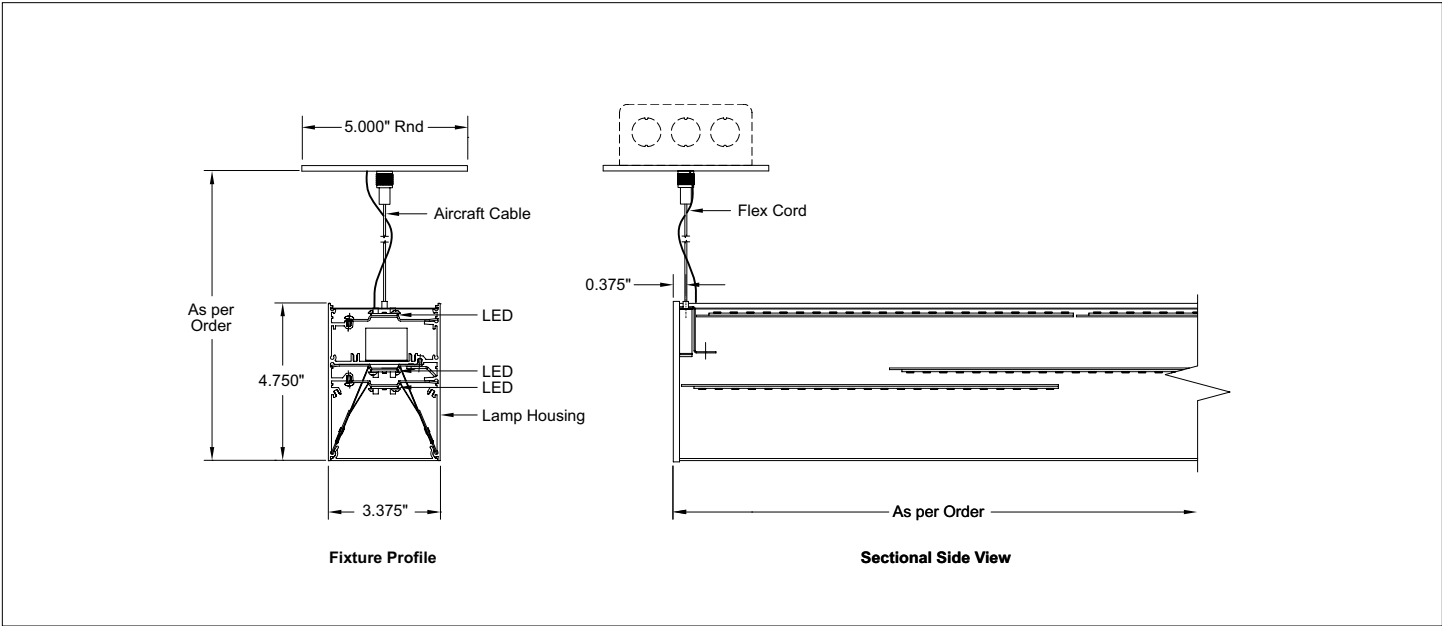
LED



Linear LED Direct/Indirect Pendant
Flush Snap-in Lens

PH4

Job Name
Fixture Type



DIRECT				INDIRECT				FIXTURE	
CRI	Color	Output	Lens	CRI	Color	Output	Lens	Dimming	Length(*)
8 80+	27 2700K	S Standard	DF Diffuser	8 80+	27 2700K	S Standard	CL Clear	S Std. 0-10V 1%	<i>Nominal:</i> 24 36 48 60 72 84 96 (see Page 2) <i>Custom:</i> Cxxx (in inches)
9 90+	30 3000K	H High	D1 Drop 1/2"	9 90+	30 3000K	H High	BW Batwing	H ECO 1%	
	35 3500K	M Maximum	BW Batwing		35 3500K	M Maximum		D DALI 1%	
	40 4000K	LW Louver White	LW Louver White		40 4000K	<i>Custom:</i> Specify Lm/Ft ⁽¹⁾		P PDE ⁽¹⁾	
	TW 2700K-6500K	<i>Custom:</i> Specify Lm/Ft ⁽¹⁾	LS Louver Specular		TW 2700K-6500K			W Wireless ⁽¹⁾	

Product Code Example: PH4-830HD1-830HBW-S-C120-W

Linear direct/indirect pendant utilizing high performance LED boards, flush snap-in acrylic lenses and full reflectors.

Features

- Starfire's proprietary EvenGlow™ system provides uniform illumination from end-to-end without lamp imaging, bright spots or shadows at any length
- Fixtures fabricated to any length without custom engineering
- Exceptional lumen per watt efficiency
- High efficiency, low cost, Tunable White option
- High performance snap-in lenses. Direct: flush diffusion, flush batwing, or drop with illuminated end caps, plus white or specular louver options. Indirect: choice of clear or batwing pattern
- Independent power and dimming of direct and indirect circuits
- Combine with welded corner Connectors to form small or large scaled patterns of uniform light

Fixture Specifications

- Housing/Trim: Heavy-duty extruded aluminum
- Finish: White (std), custom available
- Weight: Approx. 4.8 lbs. per linear foot
- UL Listed, (indoor non-condensing)

Electrical

- Power consumption: Per specification based on LED configuration
- Input Voltage: 120-277V universal driver
- Ambient operating range: -4 °F to +100 °F
- Integral electronic drivers
- Integral wiring bus between fixture sections
- Drivers with full dimming range at any output choice
- Dimming: 0-10V 1% standard, contact factory for options

Mounting

- Round canopies (std), square available. Consult factory for special ceiling conditions
- Aircraft cable (std), stem optional. Mounting location 0.375" from end of fixture.
- Contact factory for fixture lengths >96"

Options (Consult factory)

- Occupancy sensor, daylight control module
- EM pack (Delivers 800+ total lumens for 90 mins). Specify length and location (+/- 2ft) at time of order

LED Specifications/Photometry: Page 2

⁽¹⁾ Specify – Factory to confirm



STARFIRE LIGHTING, INC.
7 Donna Drive, Wood-Ridge, NJ 07075
starfirelighting.com

P 201.438.9540
F 201.438.9541

All designs and drawings are the property of STARFIRE LIGHTING, INC. We reserve the right to make changes to specifications and approved designs at any time without notice to facilitate manufacturing methods to the extent that such changes do not compromise design integrity. All performance specifications are subject to +/- 10% deviation.

VersaLux LED Direct/Indirect Pendant, Flush Snap-in Lens

PH4

LED Strip

High output edge-to-edge, end-to-end illumination

- Choice of lumen output levels:
 - S:** Standard
 - H:** High
 - M:** Maximum
 - C:** Custom (between 400 and 1000 Lm/Ft)
- LED Efficiency: Up to 160 Lm/Wt at Maximum output and 180 Lm/Wt at Standard power (at 80+ CRI)
- L70: 50,000+ hours at Maximum output
- 2700K, 3000K, 3500K, 4000K and Tunable White: 2700K-6500K
- CRI: 80+ or 90+
- Color Consistency: Equal or better than 3 SCDM with chip mixing
- 5 year limited warranty*

Fixture Dimensions

Fixture Overall Length

Nominal	Actual
24"	23.5"
36"	34.5"
48"	45.5"
60"	56.5"
72"	72"
84"	84"
96"	95"

Fixture Length Example:

For a nominal 36" length (34.5" exact): enter **36**
 To order an exact 36" length: enter **C36**

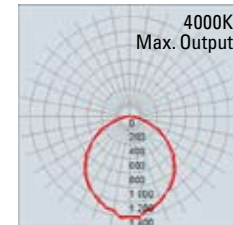
Consult factory for fixture installation dimensions

Direct - Diffuser

Output Setting	80 CRI		4000K		3500K		3000K		2700K	
	Lm/Ft	Wt/Ft	Lm/Wt	Wt/Ft	Lm/Wt	Wt/Ft	Lm/Wt	Wt/Ft	Lm/Wt	
S Standard	500	3.89	128	3.97	125.9	4.14	120.8	4.69	106.7	
H High	750	6.09	123.1	6.22	120.5	6.5	115.4	7.5	100	
M Maximum	1000	8.5	117.7	8.68	115.2	9.09	110.1	10.71	93.3	

Performance for nominal 4 foot length or greater (Std. 6ft)

Direct: Diffuser

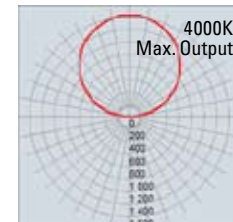


Indirect - Clear Lens (Std.)

Output Setting	80 CRI		4000K		3500K		3000K		2700K	
	Lm/Ft	Wt/Ft	Lm/Wt	Wt/Ft	Lm/Wt	Wt/Ft	Lm/Wt	Wt/Ft	Lm/Wt	
S Standard	490	3.2	153.0	3.3	150.0	3.4	144.0	3.8	128.0	
H High	800	5.5	146.3	5.6	143.3	5.8	137.8	6.7	119.7	
M Maximum	1100	7.9	139.9	8.0	136.9	8.4	130.9	9.8	111.7	

Performance for nominal 4 foot length or greater (Std. 6ft)

Indirect: Clear

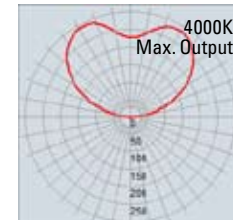


Indirect - Batwing

Output Setting	80 CRI		4000K		3500K		3000K		2700K	
	Lm/Ft	Wt/Ft	Lm/Wt	Wt/Ft	Lm/Wt	Wt/Ft	Lm/Wt	Wt/Ft	Lm/Wt	
S Standard	490	3.7	132.5	3.8	129.9	2.0	127.8	4.4	110.4	
H High	700	5.5	129.5	5.6	125.4	5.8	120.2	6.7	104.7	
M Maximum	1000	8.2	124.1	8.4	119.0	3.9	124.7	10.3	96.7	

Performance for nominal 4 foot length or greater (Std. 6ft)

Indirect: Batwing



* See Starfire website for Product Limited Warranty



STARFIRE LIGHTING, INC.
 7 Donna Drive, Wood-Ridge, NJ 07075
 starfirelighting.com

P 201.438.9540
 F 201.438.9541

All designs and drawings are the property of STARFIRE LIGHTING, INC. We reserve the right to make changes to specifications and approved designs at any time without notice to facilitate manufacturing methods to the extent that such changes do not compromise design integrity. All performance specifications are subject to +/- 10% deviation.