

2" Louvered Multi-Cell LED Low Profile Direct/Indirect Pendant

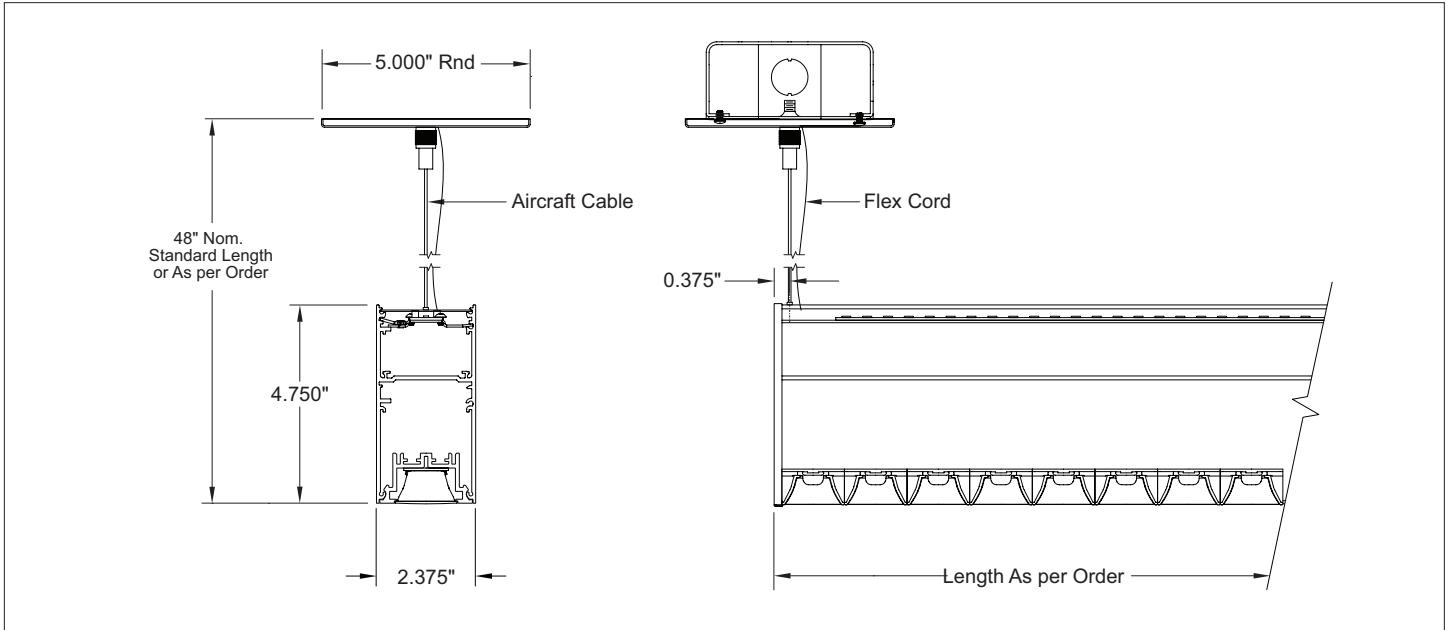
LED



Linear Direct/Indirect Pendant with Multi-Cell LEDs and Integrated Louver

PHC2

Job Name
Fixture Type



DIRECT						INDIRECT				
CRI	Color Temp	Output	Dimming	Beam Angle	Louver Finish	CRI	Color Temp	Output	Dimming	Lens
8 80+ 9 90+	27 2700K (90 CRI only) 30 3000K 35 3500K 40 4000K TW Tunable White ⁽¹⁾⁽²⁾	200 400 600 800 1000 1200 <i>Specify: Exact Lm/Ft⁽³⁾</i>	S Std. 0-10V 1% L Lutron ⁽³⁾ D DALI 1% P PoE ⁽³⁾ W Wireless ⁽³⁾ 2 2 Wire (Phase cut) T Step (10% - 70%)	3C 35° Clear 3D 35° Diffuser 5C 50° Clear 5D 50° Diffuser 8C 80° Clear 8D 80° Diffuser	W White, Std. B Black V Silver <i>Custom: Specify RAL#</i>	8 80+ 9 90+ R RGB & RGBW	27 2700K (90 CRI only) 30 3000K 35 3500K 40 4000K TW Tunable Wht ⁽¹⁾⁽²⁾ GB RGB Color G3 3000K RGBW G5 3500K RGBW	S Standard H High M Maximum <i>Custom: Specify Lm/Ft⁽³⁾</i> F Fixed (for RGBs)	S Standard 0-10V 1% L Lutron ⁽³⁾ D DALI 1% P PoE ⁽³⁾ W Wireless ⁽³⁾ X DMX (for RGBs)	CL Clear (Std) D1 Drop 1/2" D2 Drop 2" AS Asymmetric BW Batwing

FIXTURE				
Length (")	Fix. Finish	Mounting	Canopy	Canopy Finish
<i>Nominal:</i> 24 36 48 60 72 84 96 (see Page 2) <i>Custom:</i> Cxxx (in inches, see Page 2)	W White, Std. B Black <i>Custom Color: Specify RAL#</i>	A Cable 48", Std. T Stem 24" <i>Custom Length: Specify A or T + inches</i>	R Round 5", Std. S Square 5"	W White, Std. B Black <i>Custom Color: Specify R or S + RAL#</i>

Product Code Example: PHC2-830600S-5DW-830SS-CL-72W-ARW

Linear direct/indirect pendant utilizing the latest high performance Multi-Cell LEDs. The direct LEDs are configured in recessed integrated louvers creating a "Dark Light" effect with a UGR < 19.

Features

- Extremely low Universal Glare Rating meet stringent code requirements
- Continuous recessed louvers with Multi-Cell LEDs fill the entire fixture length creating uniform light distribution without glare
- Numerous beam angle, CCT and CRI options, plus louver color, offer vast design flexibility
- Ultra-efficient, high output chips deliver massive light at low power consumption
- Louvered Multi-Cell LEDs can be added in 6" increments
- High efficiency, low cost, Tunable White option, plus RGB & RGBW for Indirect
- Independent power and dimming of direct and indirect circuits

(1) 90 CRI, 2700K-6500K std., others available. Specify CCT range
 (2) 0-10V Control, std., others available – Specify (Factory to confirm)
 (3) Specify – Factory to confirm



STARFIRE LIGHTING, INC.
 7 Donna Drive, Wood-Ridge, NJ 07075
 starfirelighting.com

P 201.438.9540
 F 201.438.9541

All designs and drawings are the property of STARFIRE LIGHTING, INC. We reserve the right to make changes to specifications and approved designs at any time without notice to facilitate manufacturing methods to the extent that such changes do not compromise design integrity. All performance specifications are subject to +/- 10% deviation.

2" Multi-Cell LED Low Profile Direct/Indirect Pendant with Louver

PHC2

Fixture Specifications

- Housing/Trim: Heavy-duty extruded aluminum
- Finish: White (std), custom available
- Weight: Approx. 4.3 lbs. per linear foot
- UL Listed, (indoor non-condensing)
- LED Multi-Cell specifications/photometry: (at Right)
- Indirect White LED specifications/photometry: Page 3
- Consult factory for Indirect RGB specifications

Electrical

- Power consumption: Per specification based on LED configuration
- Input Voltage: 120-277V universal driver
- Ambient operating range: -4 °F to +100 °F
- Integral electronic drivers
- Integral wiring bus between fixture sections
- Drivers with full dimming range at any output choice
- Dimming: 0-10V 1% standard, contact factory for options
- RGB & RGBW Dimming: DMX only

Mounting

- Round canopies (std), square available. Consult factory for special ceiling conditions
- Aircraft cable, (std) 48" with adjustable grip locks – field cuttable. Contact factory for longer lengths
- Stem option (24" std). Contact factory for longer lengths

Options (Consult factory)

- Occupancy sensor with integral photocell for night only operation
- Daylight harvesting dimming control
- EM battery pack. Delivers 1000+ total lumens for 90 mins (depending upon configuration). 4ft segments (std). Specify segment length and location at time of order.

Overall Fixture Length

Nominal	Actual
24"	24.125"
36"	36.095"
48"	48.065"
60"	60.035"
72"	72.005"
84"	83.975"
96"	95.945"

Custom length increments of 6" without filler plates

- Custom overall fixture length is available at any length including continuous runs
- Multi-Cell lighting modules available in custom lengths in 6" increments
- When lighting module length is less than overall length, filler plates will be provided at the ends

* Depending upon configuration, consult factory

** See Starfire website for Product Limited Warranty

Multi-Cell LED Technology (Direct)

- Choice of standard lumen output levels: 200, 400, 600, 800, 1000, 1200 or specify custom (between 200 and 1500 Lm/Ft)*
- LED Efficiency: Up to 204 Lm/Wt at 80+ CRI
- Multi-chip LED per cell for uniform color and intensity
- Color Consistency: Equal or better than 3 SCDM
- L70: 50,000+ hours at Max. output
- 5 year limited warranty**

Direct Efficacy

35° Beam, Clear Lens – White Louver

80 CRI	4000K		3500K		3000K		2700K (90 CRI)	
Lm/Ft	Wt/Ft	Lm/Wt	Wt/Ft	Lm/Wt	Wt/Ft	Lm/Wt	Wt/Ft	Lm/Wt
200	1.2	173.6	1.2	170.7	1.2	163.4	1.3	154.2
400	2.4	170.0	2.4	167.1	2.5	159.8	2.7	150.6
600	3.6	166.4	3.7	163.5	3.8	156.2	4.1	146.9
800	4.9	162.7	5.0	159.8	5.2	152.5	5.6	143.3
1000	6.3	159.1	6.4	156.2	6.7	148.9	7.2	139.7
1200	7.7	155.5	7.9	152.5	8.3	145.3	8.8	136.0

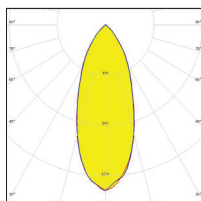
50° Beam, Clear Lens – White Louver

80 CRI	4000K		3500K		3000K		2700K (90 CRI)	
Lm/Ft	Wt/Ft	Lm/Wt	Wt/Ft	Lm/Wt	Wt/Ft	Lm/Wt	Wt/Ft	Lm/Wt
200	1.2	181.4	1.1	178.4	1.2	170.8	1.2	161.2
400	2.2	177.8	2.3	174.8	2.4	167.2	2.5	157.5
600	3.4	174.2	3.5	171.1	3.7	163.5	3.9	153.9
800	4.7	170.5	4.8	167.5	5.0	159.9	5.3	150.2
1000	6.0	166.9	6.1	163.8	6.4	156.2	6.8	146.6
1200	7.4	163.2	7.5	160.2	7.9	152.6	8.4	143.0

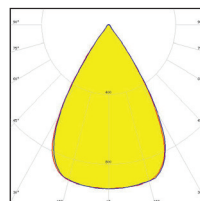
80° Beam, Clear Lens – White Louver

80 CRI	4000K		3500K		3000K		2700K (90 CRI)	
Lm/Ft	Wt/Ft	Lm/Wt	Wt/Ft	Lm/Wt	Wt/Ft	Lm/Wt	Wt/Ft	Lm/Wt
200	1.1	181.4	1.1	178.4	1.2	170.8	1.2	161.2
400	2.2	177.8	2.3	174.8	2.4	167.2	2.5	157.5
600	3.4	174.2	3.5	171.1	3.7	163.5	3.9	153.9
800	4.7	170.5	4.8	167.5	5.0	159.9	5.3	150.2
1000	6.0	166.9	6.1	163.8	6.4	156.2	6.8	146.6
1200	7.4	163.2	7.5	160.2	7.9	152.6	8.4	143.0

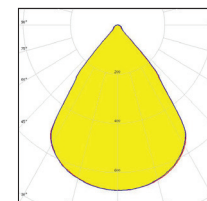
35° Beam



50° Beam



80° Beam



STARFIRE LIGHTING, INC.
7 Donna Drive, Wood-Ridge, NJ 07075
starfirelighting.com

P 201.438.9540
F 201.438.9541

All designs and drawings are the property of STARFIRE LIGHTING, INC. We reserve the right to make changes to specifications and approved designs at any time without notice to facilitate manufacturing methods to the extent that such changes do not compromise design integrity. All performance specifications are subject to +/- 10% deviation.

2" Louvered Low Profile Direct/Indirect Pendant with Multi-Cell LEDs

PHC2

Indirect White LEDs

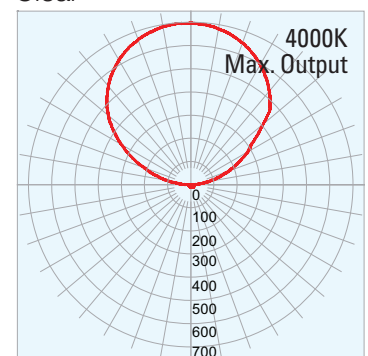
- Choice of lumen output levels: Standard, High and Maximum.
Custom (between 200 and 1100 Lm/Ft) depending upon configuration, consult factory
- LED efficiency: Up to 160 Lm/Wt at Maximum output
and 180 Lm/Wt at Standard power (at 80+ CRI)
- Proprietary in-house, ultra-tight Vf binned LEDs for uniform intensity
- Color consistency: Equal or better than 3 SCDM with chip mixing
- L70: 50,000+ hours at Maximum output
- 5 year limited warranty*

Indirect Efficacy

Clear

	80 CRI		4000K		3500K		3000K		2700K (90 CRI)	
Output	Lm/Ft	Wt/Ft	Lm/Wt	Wt/Ft	Lm/Wt	Wt/Ft	Lm/Wt	Wt/Ft	Lm/Wt	
Standard	400	2.6	154.9	2.6	151.9	2.7	145.9	3.1	130.4	
High	700	4.7	148.5	4.8	145.5	5.0	139.5	5.7	122.4	
Maximum	1100	7.9	19.9	8.0	136.9	8.4	10.9	9.8	111.7	

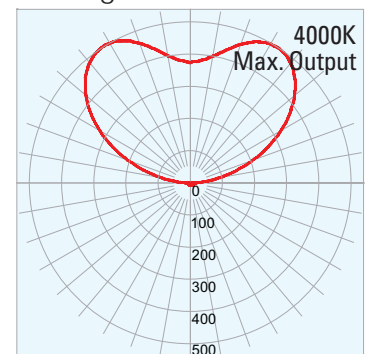
Clear



Batwing

	80 CRI		4000K		3500K		3000K		2700K (90 CRI)	
Output	Lm/Ft	Wt/Ft	Lm/Wt	Wt/Ft	Lm/Wt	Wt/Ft	Lm/Wt	Wt/Ft	Lm/Wt	
Standard	400	3.3	121.7	3.4	119.3	3.5	114.5	3.9	101.7	
High	700	6.1	115.2	6.2	112.9	6.5	108.1	7.5	93.7	
Maximum	850	7.6	112.0	7.8	109.6	8.1	104.9	9.5	89.7	

Batwing



* See Starfire website for Product Limited Warranty



STARFIRE LIGHTING, INC.
7 Donna Drive, Wood-Ridge, NJ 07075
starfirelighting.com

P 201.438.9540
F 201.438.9541

All designs and drawings are the property of STARFIRE LIGHTING, INC. We reserve the right to make changes to specifications and approved designs at any time without notice to facilitate manufacturing methods to the extent that such changes do not compromise design integrity. All performance specifications are subject to +/- 10% deviation.

