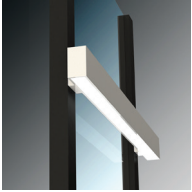


# 1" Wet Location LED Mullion Mount Fixture

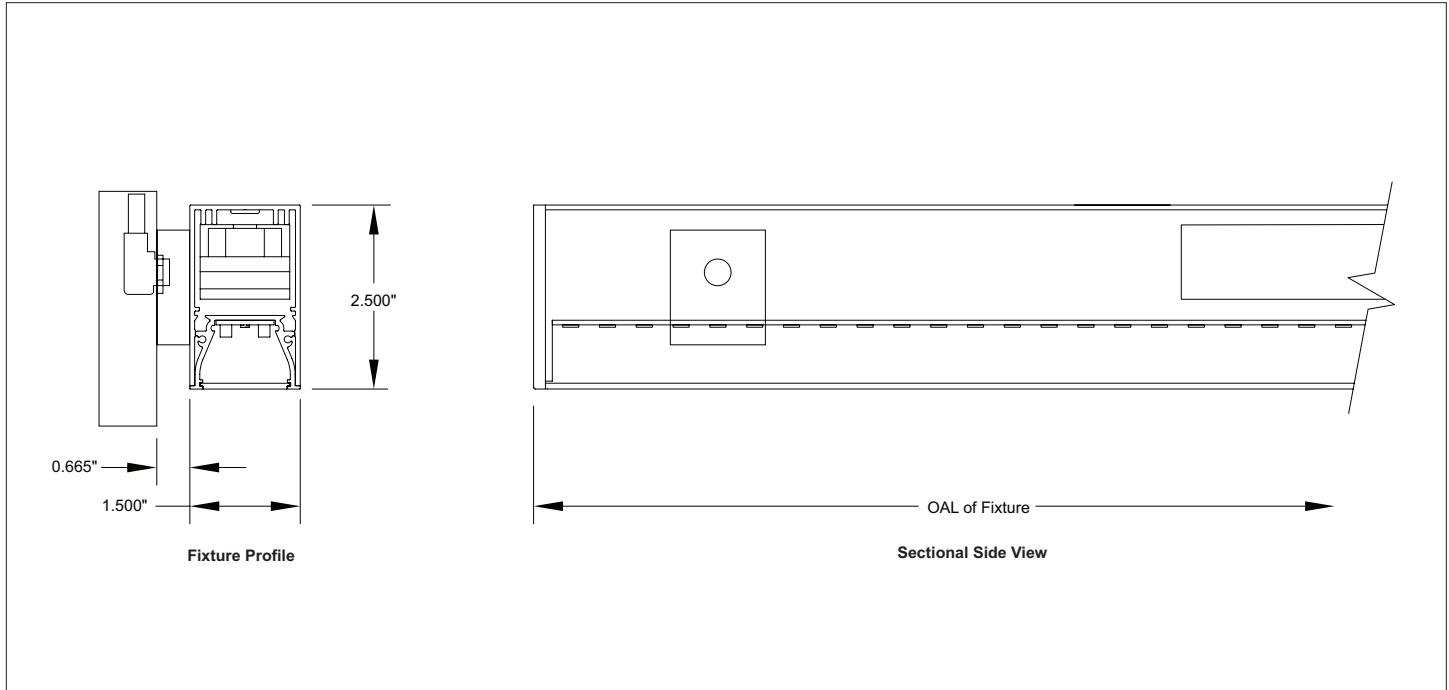
LED



Linear Narrow Profile Direct Mullion Mount Fixture for Wet Locations – Flush Lens, Internal Driver

**MDNW1**

Job Name
Fixture Type



<b>MDNW1-L</b>								
<b>CRI</b>	<b>Color</b>	<b>Output</b>	<b>Dimming</b>	<b>Length(“)</b>	<b>Power Feed Location</b>		<b>Finish</b>	
8 80+ 9 90+	27 2700K (90 CRI only) 30 3000K 35 3500K 40 4000K TW 2700K-6500K	<b>S</b> Standard <b>H</b> High <b>M</b> Maximum Custom: Specify Lm/Ft <sup>(1)</sup>	<b>S</b> Std. 0-10V 1% <b>L</b> Lutron <sup>(1)</sup> <b>D</b> DALI 1% <b>P</b> PoE <sup>(1)</sup> <b>W</b> Wireless <sup>(1)</sup>	Nominal: 24 <sup>(2)</sup> 36 48 60 72 84 96 (see Page 2) Custom*: Cxxx (in inches)	<b>End</b>	<b>Distance (”)</b>	<b>W</b> White <b>B</b> Black Custom: Specify Color	
					<b>L</b> Left <b>R</b> Right	Specify Length from End in inches		

Product Code Example: **MDNW1-L830HS-C120-L12-W**

A wet location, ultra-clean line, low profile, narrow aperture, linear mullion mount surface fixture utilizing high performance LED boards and full reflectors. Special sealants and gaskets allow for use in wet locations, (horizontal mount lens facing down only). The MDNW1 integrates with windows for a dramatic illuminated architectural effect.

### Features

- Starfire's proprietary EvenGlow™ system provides uniform illumination from end-to-end without lamp imaging, bright spots or shadows at any length
- Fixtures fabricated to any length without custom engineering, maximum 96" per section
- Multiple sections with single power feeds can be joined. Lenses are not continuous
- Exceptional lumen per watt efficiency
- High efficiency, low cost, Tunable White option
- Narrow air gap for clean lines and the prevention of thermal issues

### Fixture Specifications

- Housing/Trim: Heavy-duty extruded aluminum
- Finish: White (std), custom available
- Weight: Approx. 1.3 lbs. per linear foot
- UL Listed, (indoor non-condensing)

### Electrical

- Power consumption: Per specification based on LED configuration
- Input Voltage: 120-277V universal driver
- Ambient operating range: -4 °F to +100 °F
- Integral electronic drivers
- Integral wiring bus between fixture sections
- Drivers with full dimming range at any output choice
- Dimming: 0-10V 1% standard, contact factory for options

### Mounting

- Special mullion mount wet location brackets attach directly to hollow mullions
- Properly jacketed power feeds terminate on mullion brackets.
- Mullions should be a minimum of 1.5" wide

**LED Specifications/Photometry:** Page 2

\* 96" maximum fixture sections

<sup>(1)</sup> Specify – Factory to confirm

<sup>(2)</sup> Available in output levels of 400 lm/ft or greater only



STARFIRE LIGHTING, INC.  
7 Donna Drive, Wood-Ridge, NJ 07075  
starfirelighting.com

P 201.438.9540  
F 201.438.9541

All designs and drawings are the property of STARFIRE LIGHTING, INC. We reserve the right to make changes to specifications and approved designs at any time without notice to facilitate manufacturing methods to the extent that such changes do not compromise design integrity. All performance specifications are subject to +/- 10% deviation.

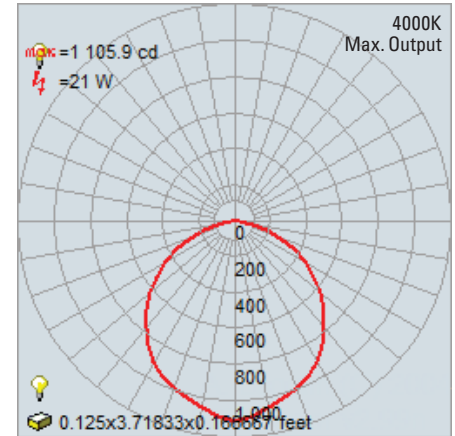
# LED Narrow Profile Mullion Mount Fixture – Flush Lens with Internal Driver

## MDNW1

### LED Strip

High output edge-to-edge, end-to-end illumination

- Choice of lumen output levels:
  - S:** Standard
  - H:** High
  - M:** Maximum
  - C:** Custom (between 400 and 1000 Lm/Ft)
- LED Efficiency: Up to 160 Lm/Wt at Maximum output and 180 Lm/Wt at Standard power (at 80+ CRI)
- Proprietary in-house, ultra-tight Vf binned LEDs for uniform intensity
- Color Consistency: Equal or better than 3 SCDM with chip mixing
- L70: 50,000+ hours at Maximum output
- 5 year limited warranty\*



### Fixture Efficacy

80CRI		4000K		3500K		3000K		2700K (90CRI)	
Output Setting	Lm/Ft	Wt/Ft	Lm/Wt	Wt/Ft	Lm/Wt	Wt/Ft	Lm/Wt	Wt/Ft	Lm/Wt
<b>S</b> Standard	<b>250</b>	1.7	144.1	1.8	141.0	1.8	135.8	2.0	122.3
<b>H</b> High	<b>500</b>	3.6	138.7	3.7	136.0	3.8	130.5	4.3	115.6
<b>M</b> Maximum	<b>750</b>	5.6	133.0	5.7	130.6	6.0	125.1	6.9	108.9

\* See Starfire website for Product Limited Warranty

## Fixture Dimensions

### Fixture Overall Length\*

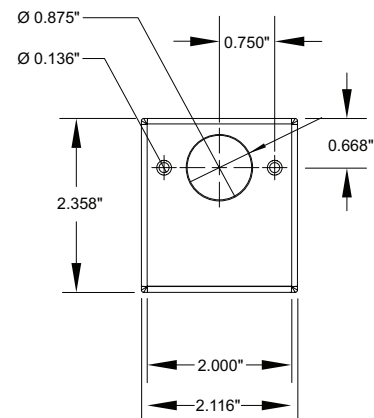
Nominal	Actual
<b>24"</b>	22.60"
<b>36"</b>	33.62"
<b>48"</b>	44.65"
<b>60"</b>	55.67"
<b>72"</b>	72.20"
<b>84"</b>	83.22"
<b>96"</b>	94.25"

### Fixture Length Example:

To order a nominal 36" length (33.62" exact): enter **36**  
 For an exact 36" length\*: enter **C36**

### Mullion Spacing and Fixture Length

Fixture length should be approximately 6 to 12" greater than the center-to-center spacing of attachment mullions. This allows for secure and balanced mounting. Contact factory for other conditions.



Consult factory for fixture installation dimensions

\* Some exact lengths may include unobtrusive lens filler



STARFIRE LIGHTING, INC.  
 7 Donna Drive, Wood-Ridge, NJ 07075  
 starfirelighting.com

P 201.438.9540  
 F 201.438.9541

All designs and drawings are the property of STARFIRE LIGHTING, INC. We reserve the right to make changes to specifications and approved designs at any time without notice to facilitate manufacturing methods to the extent that such changes do not compromise design integrity. All performance specifications are subject to +/- 10% deviation.

