

# 6" VersaLux LED Surface Mount

LED

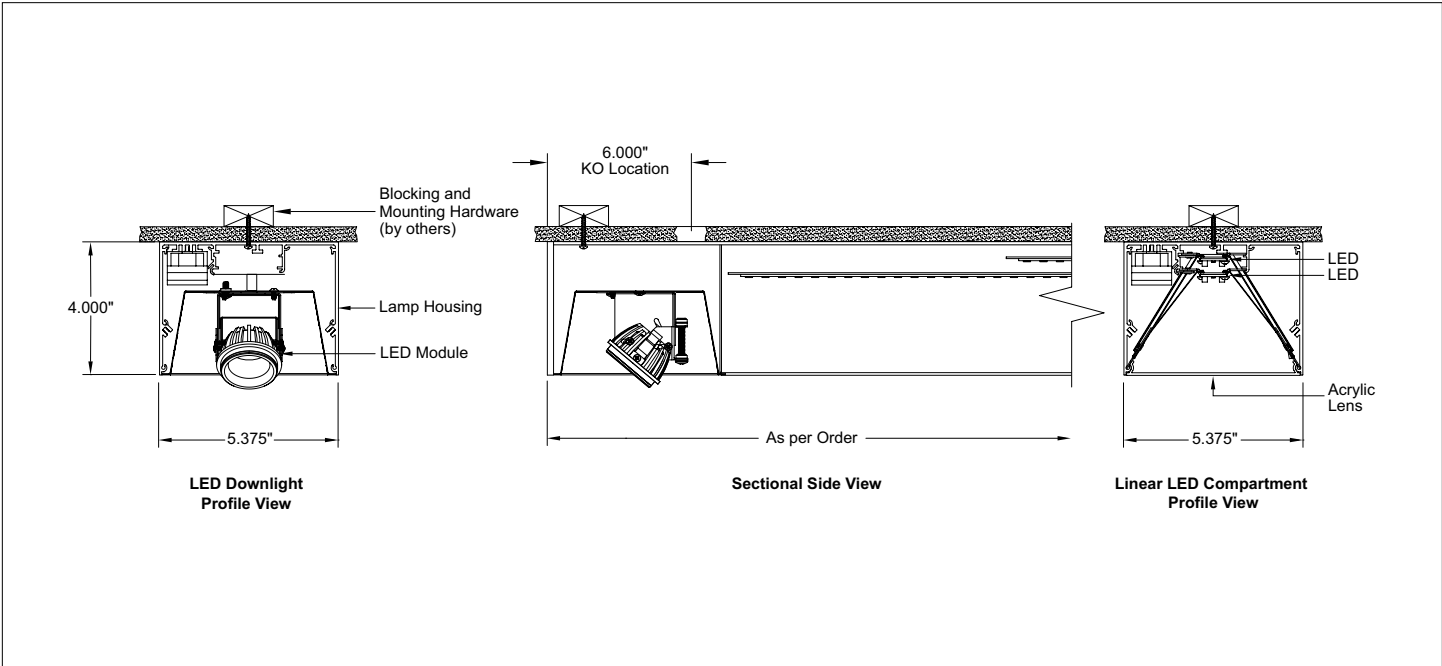


LED Linear Direct Surface with Open Aperture Adjustable LED Downlight Modules

SDA6 LED

Job Name \_\_\_\_\_

Fixture Type \_\_\_\_\_



LED DOWNLIGHT MODULE						LINEAR LED				
Qty	CRI	Color	Output	Dimming	Lens	CRI	Color	Output	Dimming <sup>†</sup>	Length (inches)
1	8 80+	27 2700K	S Std.	S Std. (1%) 0-10V	S 25° Spot	8 80+	27 2700K	S Std.	S Std. 0-10V (1%)	Nominal: 24 36 48
2	9 90+*	30 3000K	H High	H Lutron Hi-Lume (1%)	F 40° Flood	9 90+*	30 3000K	H High	E Lutron 5 Series (5%)	60 72 84
3		35 3500K	Custom: Specify Lumens*	O Solite	D Diffuser		35 3500K	M Max.	H Lutron Hi-Lume (1%)	96 (see Table)
4		40 4000K		H Hexcel			40 4000K	Custom: Specify Lm/Ft*	D DALI (1%)	Custom: Cxxx (in inches)
		50 5000K					TW 2700K-6500K	W Wireless**	W Wireless**	

Product Code Example: SDA6-3D830HSF-L830HH-C120-W

Linear flush lens, direct illumination surface mount fixture with open aperture LED downlight compartment(s). Linear portion utilizes high performance LED boards, flush snap-in diffusion lenses and full reflectors. Downlight module(s) utilize a high performance COB component and reflector behind a clear or frosted lens. Adjustable virtual pivot: 0-40°, 355° rotation.

### Features

- Starfire's proprietary EvenGlow™ system provides uniform illumination from end-to-end without lamp imaging, bright spots or shadows at any length
- Fixtures fabricated to any length without custom engineering
- Exceptional lumen per watt efficiency
- High efficiency, low cost, dynamic Tunable White option
- Future proof LED boards sourced from world's leading suppliers
- Quick-Connect lighting modules plug together

### Fixture Specifications

- Housing/Trim: Heavy-duty extruded aluminum
- Finish: White (std), custom available
- Weight: Approx. 3.7 lbs. per linear foot, plus 1.0 lbs. per downlight module
- Fixture is UL listed, damp location

### Electrical

- Power consumption: Per specification based on LED configuration
- Input Voltage: 120-277V universal driver
- Ambient temperature: 90 °F maximum
- Integral electronic drivers
- Independent linear and downlight circuiting
- Integral wiring buss between fixture sections
- Drivers with full dimming range at any output choice
- 1% Dimming: 0-10V standard (included), consult factory for other options

### Mounting

- Screw mount housing to blocking
- Contact factory for special ceiling conditions

### Options (Consult factory)

- Occupancy sensor, daylight control module
- EM pack in 4ft segments. Delivers 800+ total lumens for 90 mins. Specify location (+/- 2ft) at time of order

LED Specifications/Photometry: Page 2

VDM Downlight LED Spec Sheet: Page 3

\* Factory to confirm availability  
 \*\* Specify wireless system  
<sup>†</sup> For high performance dimming below 125 lm/ft, contact factory



STARFIRE LIGHTING, INC.  
 7 Donna Drive, Wood-Ridge, NJ 07075  
 starfirelighting.com

P 201.438.9540  
 F 201.438.9541

All designs and scaled drawings shall remain the property of STARFIRE LIGHTING, INC., and may not be reproduced or transmitted without expressed written consent. STARFIRE LIGHTING, INC., reserves the right to make changes on approved designs to facilitate manufacturing methods to the extent that such changes do not compromise design integrity.

# LED Linear Direct Surface with Open Aperture LED Downlight Modules

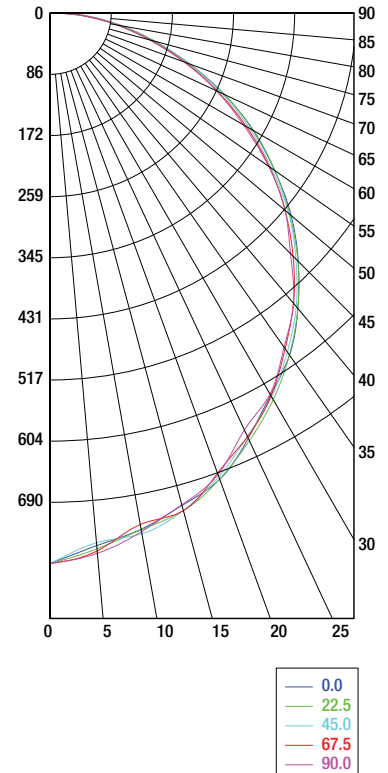
## SDA6 LED

## Linear Photometrics 4000K

### LED Strip

High output edge-to-edge, end-to-end illumination

- Choice of lumen output levels:
  - S:** Standard
  - H:** High
  - M:** Maximum
  - C:** Custom (between 400 and 1000 Lm/Ft)
- LED Efficiency: Up to 160 Lm/Wt at Maximum output and 180 Lm/Wt at Standard power (at 80+ CRI)
- L70: 50,000+ hours at Maximum output
- 2700K, 3000K, 3500K, 4000K and Tunable White: 2700K-6500K
- CRI: 80+ or 90+
- Color Consistency: Equal or better than 3 SCDM with chip mixing
- UL Listed, Damp location
- 5 year limited warranty\*



### Fixture Efficacy

Output Setting (4000K)	Source			Delivered		
	Lm/Ft	Wt/Ft	Lm/Wt	Lm/Ft	Wt/Ft	Lm/Wt
<b>S</b> Standard	647	4.3	151	549	4.8	113
<b>H</b> High	1116	8.0	138	947	9.1	103
<b>M</b> Maximum	1186	8.7	137	1006	9.8	102

\* See Starfire website for Product Limited Warranty

## Fixture Dimensions

### Fixture Overall Length

Nominal	Actual
24"	23.5"
36"	34.5"
48"	45.5"
60"	56.5"
72"	72"
84"	84"
96"	95"

#### Fixture Length Example:

To order a nominal 36" length (34.5" exact): enter **36**  
For an exact 36" length: enter **C36**

Consult factory for fixture installation dimensions



STARFIRE LIGHTING, INC.  
7 Donna Drive, Wood-Ridge, NJ 07075  
starfirelighting.com

P 201.438.9540  
F 201.438.9541

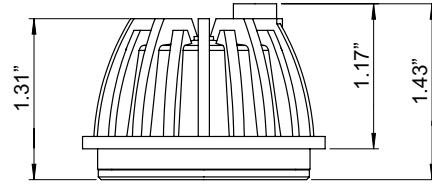
All designs and scaled drawings shall remain the property of STARFIRE LIGHTING, INC., and may not be reproduced or transmitted without expressed written consent. STARFIRE LIGHTING, INC., reserves the right to make changes on approved designs to facilitate manufacturing methods to the extent that such changes do not compromise design integrity.

# VersaLux Downlight Module



## LED Light Engine

for use in linear hybrid and downlight enclosures



### Series VDM

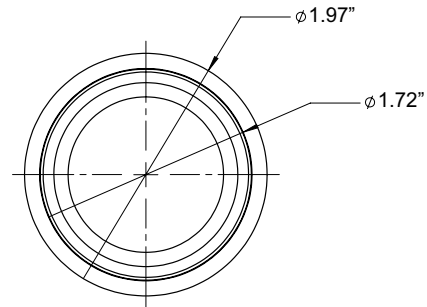
Starfire native LED downlight module for use in our linear hybrid slot and pendant fixtures as open, pinhole, splay and in-lens downlight point sources. Also for use in various stand-alone downlight fixtures. This indigenous light engine supersedes the plug-in LED MR16 lamp and offers superior features without the issues associated with such plug-in lamps.

### Features

- High quality single point source light eliminates multi-shadow imaging
- Operational with commercial quality, high efficiency, low electrical noise, high power factor drivers
- 1% Dimmable utilizing 0-10V or Lutron ECO controls
- Available beam angles of 25° or 40° to meet precise lighting requirements
- Factory programmable custom light output up to 600 lm/module
- 2700K, 3000K, 3500K, 4000K and 5000K
- 83 or 93 CRI
- High efficacy LEDs deliver up to 88 lm/wt at the module and 75 lm/wt including driver losses
- Guaranteed operation and dimming without typical lamp/transformer compatibility issues
- 50,000+ hours
- UL Listed, Damp location

### Lens Options

Lens	Filter
<b>S</b> Spot, 25°	Clear
<b>F</b> Flood, 40°	Clear
<b>D</b> Diffuser	Frosted
<b>O</b> Solite	Clear
<b>H</b> Hexcel	Louver



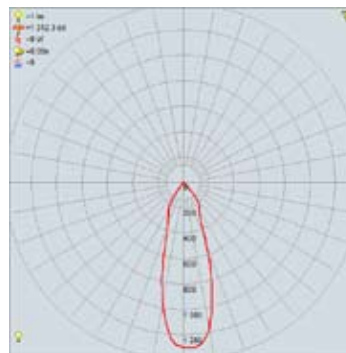
### Module Efficacy

Spot Lens Output Setting (3000K)	Delivered*		
	Lumens	Watts	Lm/Wt
<b>S</b> Standard	400	4.6	86.9
<b>H</b> High	525	6.3	83.3
<b>M</b> Maximum**	600	7.4	81.1

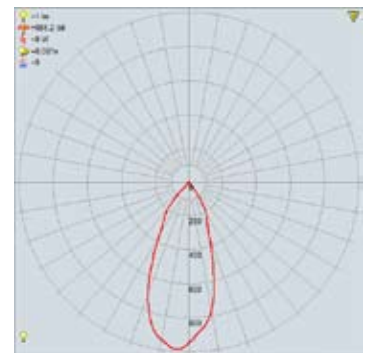
\* Excluding secondary lens and driver loss

\*\* Max. output not available for splay and in-lens pinhole aperture fixtures

### 25° Spot Clear – Max Output



### 40° Flood Clear – Max Output



STARFIRE LIGHTING, INC.  
7 Donna Drive, Wood-Ridge, NJ 07075  
starfirelighting.com

P 201.438.9540  
F 201.438.9541

All designs and scaled drawings shall remain the property of STARFIRE LIGHTING, INC., and may not be reproduced or transmitted without expressed written consent. STARFIRE LIGHTING, INC., reserves the right to make changes on approved designs to facilitate manufacturing methods to the extent that such changes do not compromise design integrity.