

4" VersaLux LED Pendant

LED

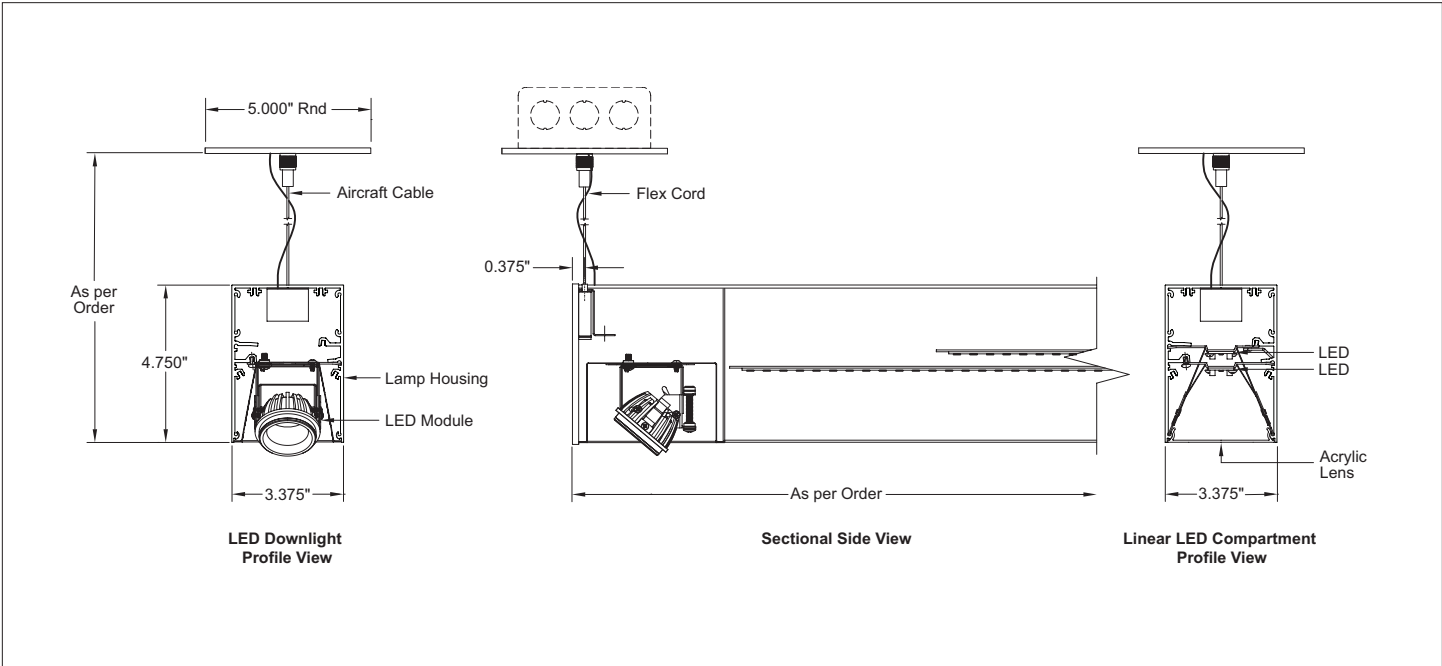


LED Linear Direct Pendant with Open Aperture Adjustable LED Downlight Modules

PDA4

Job Name _____

Fixture Type _____



LED DOWNLIGHT						LINEAR LED						
PDA4-	D					-L						-W
Qty	CRI	Color	Output	Dimming	Lens	CRI	Color	Output	Dimming	Lens	Length (")	(Finish)
1	8 80+	27 2700K	S Standard	S Std. 0-10V 1%	S 25° Spot	8 80+	27 2700K	S Standard	S Std. 0-10V 1%	DF Diffuser	Nominal:	
2	9 90+	30 3000K	H High	H ECO 1% ⁽²⁾	F 40° Flood	30 3000K	30 3000K	H High	H ECO 1% ⁽²⁾	D1 Drop 1/2"	24 36 48	
3		35 3500K	M Maximum	D DALI 1%	D Diffuser	35 3500K	35 3500K	M Maximum	D DALI 1%	BW Batwing	60 72 84	
4		40 4000K	Custom: Specify Lumens ⁽¹⁾	P POE ⁽¹⁾	O Solite	40 4000K	40 4000K	Custom: Specify Lm/Ft ⁽¹⁾	P POE ⁽¹⁾	LW Louver White	96 (see Page 2)	
				W Wireless ⁽¹⁾	H Hexcel	TW 2700K-6500K			W Wireless ⁽¹⁾	LS Louver Specular	Custom: Cxxx (in inches)	

Product Code Example: PDA4-3D830SS0-L830HSD1-C120-W

Linear flush lens, direct pendant with open aperture LED downlight compartment(s). Linear portion utilizes high performance LED boards, snap-in lenses and full reflectors. Downlight module(s) utilize a high performance COB component and reflector behind a clear or frosted lens. Adjustable virtual pivot: 0-40°, 355° rotation.

Features

- Starfire's proprietary EvenGlow™ system provides uniform illumination from end-to-end without lamp imaging, bright spots or shadows at any length
- Fixtures fabricated to any length without custom engineering
- Exceptional lumen per watt efficiency
- High efficiency, low cost, Tunable White option
- High performance snap-in lenses; flush diffusion, flush batwing, or drop with illuminated end caps, plus white or specular louver options
- Combine with welded corner Connectors to form small or large scaled patterns of uniform light

Fixture Specifications

- Housing/Trim: Heavy-duty extruded aluminum
- Finish: White (std), custom available
- Weight: Approx. 3.6 lbs. per linear foot, plus 1.0 lbs. per VDM downlights
- UL Listed, (indoor non-condensing)
- Linear LED: Page 2, VDM: Download spec sheet

Electrical

- Power consumption: Per specification based on LED configuration
- Input Voltage: 120-277V universal driver
- Ambient operating range: -4 °F to +100 °F
- Integral electronic drivers
- Independent linear and downlight circuiting
- Integral wiring bus between fixture sections
- Drivers with full dimming range at any output choice
- Dimming: 0-10V 1% standard, contact factory for options

Mounting

- Round canopies (std), square available. Consult factory for special ceiling conditions
- Aircraft cable (std), stem optional. Mounting location 0.375" from end of fixture.
- Contact factory for fixture lengths >96"

Options (Consult factory)

- Occupancy sensor, daylight control module
- EM pack (Delivers 800+ total lumens for 90 mins). Specify length and location (+/- 2ft) at time of order

⁽¹⁾ Specify – Factory to confirm

⁽²⁾ Minimum of two VDM modules per fixture



STARFIRE LIGHTING, INC.
7 Donna Drive, Wood-Ridge, NJ 07075
starfirelighting.com

P 201.438.9540
F 201.438.9541

All designs and drawings are the property of STARFIRE LIGHTING, INC. We reserve the right to make changes to specifications and approved designs at any time without notice to facilitate manufacturing methods to the extent that such changes do not compromise design integrity. All performance specifications are subject to +/- 10% deviation.

LED Linear Direct Pendant with Open Aperture LED Downlight Modules

PDA4

LED Strip

High output edge-to-edge, end-to-end illumination

- Choice of lumen output levels:
 - S:** Standard
 - H:** High
 - M:** Maximum
 - C:** Custom (between 300 and 1000 Lm/Ft)
- LED Efficiency: Up to 160 Lm/Wt at Maximum output and 180 Lm/Wt at Standard power (at 80+ CRI)
- L70: 50,000+ hours at Maximum output
- 2700K, 3000K, 3500K, 4000K and Tunable White: 2700K-6500K
- CRI: 80+ or 90+
- Color Consistency: Equal or better than 3 SCDM with chip mixing
- 5 year limited warranty*

Fixture Dimensions

Fixture Overall Length

Nominal	Actual
24"	23.5"
36"	34.5"
48"	45.5"
60"	56.5"
72"	72"
84"	84"
96"	95"

Fixture Length Example:

For a nominal 36" length (34.5" exact): enter **36**
To order an exact 36" length: enter **C36**

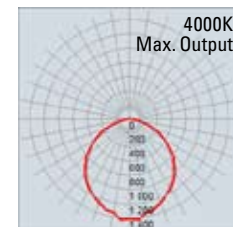
Consult factory for fixture installation dimensions

Diffuser

80 CRI		4000K		3500K		3000K		2700K	
Output Setting	Lm/Ft	Wt/Ft	Lm/Wt	Wt/Ft	Lm/Wt	Wt/Ft	Lm/Wt	Wt/Ft	Lm/Wt
S Standard	500	3.89	128	3.97	125.9	4.14	120.8	4.69	106.7
H High	750	6.09	123.1	6.22	120.5	6.5	115.4	7.5	100
M Maximum	1000	8.5	117.7	8.68	115.2	9.09	110.1	10.71	93.3

Performance for nominal 4 foot length or greater (Std. 6ft)

Diffuser

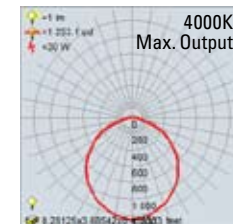


1/2" Drop Lens

80 CRI		4000K		3500K		3000K		2700K	
Output Setting	Lm/Ft	Wt/Ft	Lm/Wt	Wt/Ft	Lm/Wt	Wt/Ft	Lm/Wt	Wt/Ft	Lm/Wt
S Standard	500	3.7	133.6	3.8	130.9	4.0	125.6	4.5	111.2
H High	750	5.8	128.2	6.0	125.6	6.2	120.3	7.2	104.5
M Maximum	1000	8.1	122.9	8.3	120.2	8.7	114.9	10.2	97.8

Performance for nominal 4 foot length or greater (Std. 6ft)

1/2" Drop

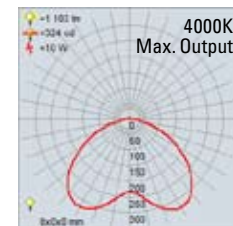


Batwing

80 CRI		4000K		3500K		3000K		2700K	
Output Setting	Lm/Ft	Wt/Ft	Lm/Wt	Wt/Ft	Lm/Wt	Wt/Ft	Lm/Wt	Wt/Ft	Lm/Wt
S Standard	500	4.1	122.2	4.2	119.8	4.4	114.9	4.9	101.3
H High	750	6.4	116.8	6.6	114.4	6.8	109.5	7.9	94.7
M Maximum	1000	9.0	111.5	9.2	109.1	9.6	104.2	11.4	88.0

Performance for nominal 4 foot length or greater (Std. 6ft)

Batwing



* See Starfire website for Product Limited Warranty



STARFIRE LIGHTING, INC.
7 Donna Drive, Wood-Ridge, NJ 07075
starfirelighting.com

P 201.438.9540
F 201.438.9541

All designs and drawings are the property of STARFIRE LIGHTING, INC. We reserve the right to make changes to specifications and approved designs at any time without notice to facilitate manufacturing methods to the extent that such changes do not compromise design integrity. All performance specifications are subject to +/- 10% deviation.