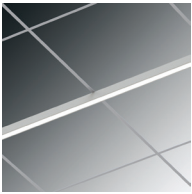


Ultra-Narrow LED Grid Mount System

LED

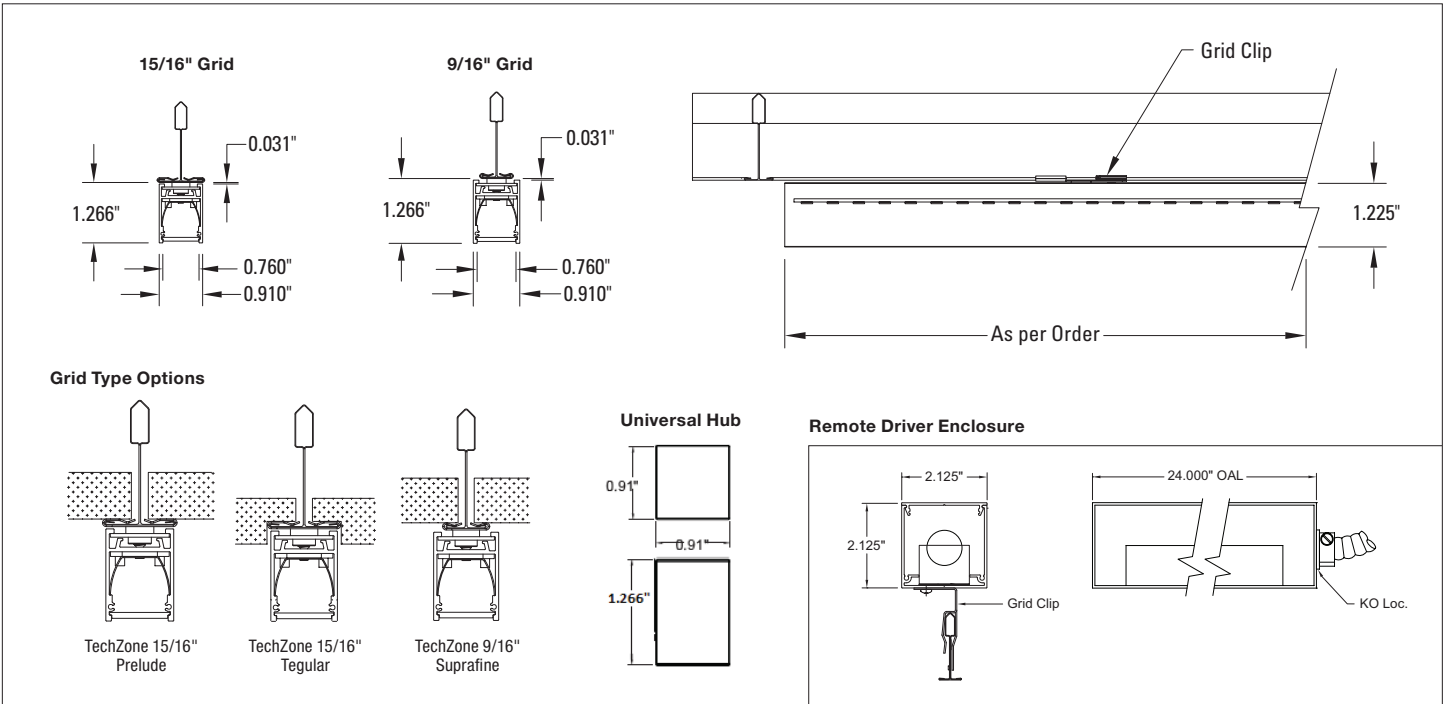


Linear Ultra-Narrow Profile LED Grid Mount System with Flush Lens and External Driver

GDX0

Job Name

Fixture Type



GRID MOUNT SEGMENT										BLANK HUB	
GDX0-L										GBX0-	
CRI	Color	Output	Dimming	Lens	Length (inches)	Grid Type	Finish	Whip	Connector	Finish	
8 80+ 9 90+	27 2700K (90 CRI only) 30 3000K 35 3500K 40 4000K TW Tunable White ⁽¹⁾⁽²⁾ DW Dim-to-Warm ⁽¹⁾⁽²⁾	S Standard H High M Maximum Custom: Specify Lm/Ft. ⁽³⁾	S Std. 0-10V 1% L Lutron ⁽³⁾ D DALI 1% P PoE ⁽³⁾ T Step (10%-70%) W Wireless ⁽³⁾	DF Diffusion Only	Nominal: 24 30 48 60 96 120 144 (see Table) Custom: Cxxx (in inches)	S9 9/16 Suprafine P1 15/16 Prelude T1 15/16 Tegular 1/4\" Recess	W White, Std. B Black Custom Color: Specify RAL#	N No Whip W Std Whip C Chicago Whip	L L-Hub T T-Hub X X-Hub I Inline Hub	W White, Std. B Black Custom Color: Specify RAL#	
Product Code Example: GDX0-L830HS-DF-C360-S9-W-N										GBX0-T-W	

Low profile ultra-narrow aperture linear grid mount lighting system comprised of modular components. Designed for the freedom and flexibility to create virtually any light pattern on grid ceilings.

Features

- Segments easily attach to 9/16" and 15/16" T-grid members using Starfire's proprietary rotating grid clips
- Hub connectors allow for limitless creative patterns in illuminated and non-illuminated versions
- Segments are easily removed and reinstalled leaving the grid undamaged
- Exceptional lumen per watt efficiency
- High output and cost effective
- High performance acrylic flush diffusion lens with non-pixelated uniform illumination
- Universal hub connectors meld sections together to create unlimited shapes along the grid line

Fixture Specifications

- Housing: Heavy-duty extruded aluminum, aluminum end caps
- Finish: White (std), custom available
- Weight: Approx. 1 lb. per linear foot
- UL Listed, (indoor non-condensing)

Electrical

- Power consumption: Per specification based on LED configuration
- Input Voltage: 120-277V universal driver
- Ambient operating range: -4 °F to +100 °F
- Remote electronic driver with full dimming range at any output choice
- Class 2 plenum wiring between fixture and remote driver
- Dimming: 0-10V 1% standard, contact factory for options

Mounting

- Attaches to grid with tool-less rotating locking clips, provided
- Remote driver enclosure can support one or more fixture segments (one, std)

Options (Consult factory)

- Remote occupancy sensor, daylight control module
- Remote EM pack in 4ft segments. Delivers 675 lumens for 90 mins. Specify location (+/- 2ft) at time of order

LED Specifications/Photometry: Page 2

⁽¹⁾ 90CRI, 2700K-6500K std., others available. Specify CCT range
⁽²⁾ 0-10V Control, std., others available – Specify (Factory to confirm)
⁽³⁾ Specify – Factory to confirm



STARFIRE LIGHTING, INC.
7 Donna Drive, Wood-Ridge, NJ 07075
starfirelighting.com

P 201.438.9540
F 201.438.9541

All designs and drawings are the property of STARFIRE LIGHTING, INC. We reserve the right to make changes to specifications and approved designs at any time without notice to facilitate manufacturing methods to the extent that such changes do not compromise design integrity. All performance specifications are subject to +/- 10% deviation.

LED Direct Grid Mount System – Flush Lens with External Driver

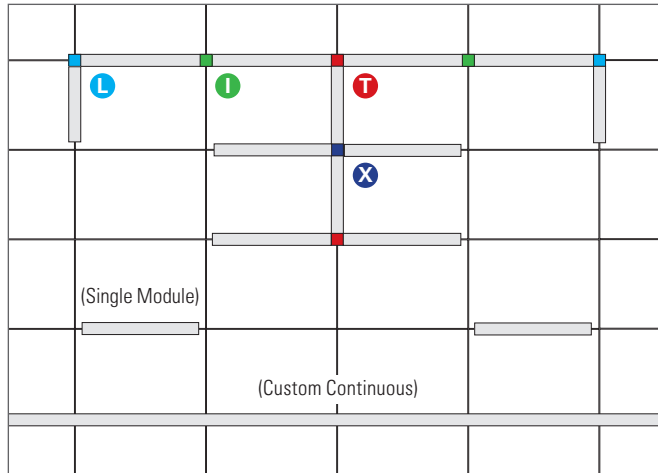
GDXO

Starfire grid mount lighting system surface mounts to 9/16" and 15/16" T-grid structure. Each lighting module is perfectly sized to attach to grid members at standard spacing. Lighting patterns and continuous runs are achieved with the use of non illuminated hub connectors which match the fixture housing to give a continuous appearance.

Hub Connectors

- L** L-Hub
- T** T-Hub
- X** X-Hub
- I** Inline Hub

Universal Hub:
Same Hub in
any direction



Fixture Dimensions

Nominal	Actual
24"	22.50"
30"	28.50"
48"	46.50"
60"	58.50"
96"	94.50"
120"	118.50"
144"	142.50"
Hub	0.91" x 0.91"

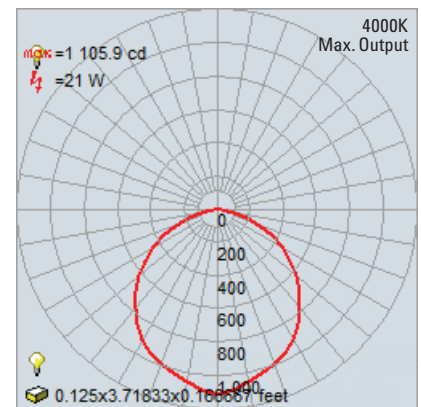
Custom/Continuous:
Specify end-to-end length.
(Length does not include Hubs)

LED Strip

High output edge-to-edge, end-to-end illumination

- Choice of lumen output levels: **S**: Standard, **H**: High, **M**: Maximum, **C**: Custom (between 200 and 1000 Lm/Ft) depending upon configuration
- **High Output***: Up to 1700 Lm/Ft, consult factory
- LED Efficiency: Up to 160 Lm/Wt at Maximum output and 180 Lm/Wt at Standard power (at 80+ CRI)
- Proprietary in-house, ultra-tight Vf binned LEDs for uniform intensity
- Color Consistency: Equal or better than 3 SCDM
- Tunable range: 2700K-6500K, other ranges available
- Dim-to-Warm – Warm range down to 1800K
- L70: 50,000+ hours at Maximum output
- 5 year limited warranty**

Diffusion Lens



Fixture Efficacy – 80 CRIs

80 CRI		4000K		3500K		3000K		2700K	
Output Setting	Lm/Ft	Wt/Ft	Lm/Wt	Wt/Ft	Lm/Wt	Wt/Ft	Lm/Wt	Wt/Ft	Lm/Wt
S Standard	250	2.0	125.3	2.0	124.1	2.1	120.5	2.2	111.6
H High	500	4.1	120.6	4.2	119.4	4.3	115.9	4.7	107.0
M Maximum	750	6.5	116.0	6.5	114.8	6.7	111.3	7.3	102.4

* Does not apply to Tunable White

** See Starfire website for Product Limited Warranty



STARFIRE LIGHTING, INC.
7 Donna Drive, Wood-Ridge, NJ 07075
starfirelighting.com

P 201.438.9540
F 201.438.9541

All designs and drawings are the property of STARFIRE LIGHTING, INC. We reserve the right to make changes to specifications and approved designs at any time without notice to facilitate manufacturing methods to the extent that such changes do not compromise design integrity. All performance specifications are subject to +/- 10% deviation.