

2" & 4" VersaLux LED Surface

Series SDX

Linear LED Surface Mount with External Driver

Installation Instructions

Overview: SDX2/4 flush or drop lens fixtures are intended to be installed on a flat surface by attachment with screws into blocking that is affixed to building structure. can be clipped to the top of ceiling grid members or mounted to building structure. Single and multi-driver remote enclosures are intended to be secured to blocking as well. Single driver enclosures also have clips can be snapped on top of ceiling grid members. Multi-section fixtures are aligned and clamped together with Joining Brackets at section seams (Figure 1). **Note** figures depict SDX4. Installation steps for SDX2 is the same.

Preparation

Install power feeds at remote driver locations and blocking at driver and fixture locations. Fixtures sections come with low voltage plenum cable to connect to their remote drivers. Cable lengths of 6 feet are standard. Longer lengths up to 50 can be ordered. If so, they are noted on the submittal drawings. Locate remote drivers such cables from sections reach their designated driver. Pre-drill holes in mounting surface to allow low voltage power cables to pass from the top of the fixture section to the remote driver.

Warning:

- Do not drill through side-wall of fixture for any reason.
- Some disassembly is required for fixture installation.
- Power and dimming wiring must be installed according to local electrical codes.

Step 1: Unpacking

Unpack fixtures from crates/boxes. Unpack remote driver enclosures (they may be packed separately) and note labeling as each fixture section must be connected to its designated remote driver. Refer to submittal drawing for multisection assembly order. Sections are cut and wired for installation in designated positions only. Unless otherwise specified, lenses are packed with fixtures and labeled per fixture. **Note:** Lenses are precision cut to compensate for expansion and eliminate light leak. Install lenses in their designated fixtures/sections only.

Dimensions (Figure 2)

Fixture	Dim A	Dim B
SDX2	2.375"	3.000"
SDX4	3.375"	3.000"

Figure 1

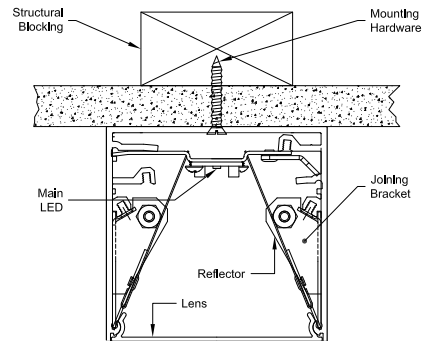


Figure 2

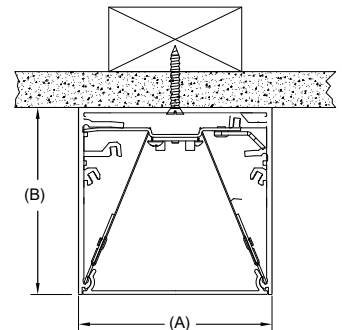
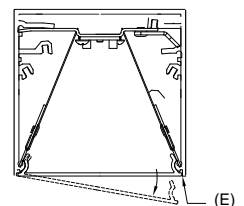


Figure 3



Step 2: Disassembly

Fixture sections must be disassembled to access the mounting holes which are located at the ends of sections unless otherwise specified in submittal drawings. Lenses must be removed first. At each end of the fixture section Reflectors and LED trays are then removed. Center reflectors and LED trays should not be removed..

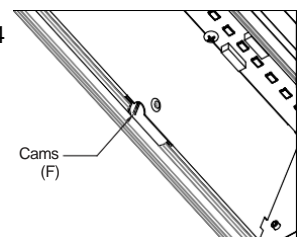
Lens removal (Figure 3)

Remove level lenses by inserting a thin blade (ex: putty knife) between the edge of the lens and the Extrusion Housing (E) and carefully pry out. This works best at the center of the lens section. For single section fixtures, it may be necessary to bow the lens slightly to clear both end cap lips.

Reflector removal (Figure 4)

Remove reflectors by turning Cams (F) with a flat blade screwdriver, then tilt the Reflector inward until free (See Figure 5).

Figure 4



2" & 4" VersaLux LED Surface

Series SDX

Linear LED Surface Mount with External Driver

Installation Instructions

LED tray removal (Figures 6 - 7)

With reflectors removed, LED trays can be lowered by turning Latches (G – Figure 6) with a flat blade screwdriver and tilting outward until free (Figure 7).

LED Trays at the ends of the fixture are equipped with connectors which plug into fixture wiring harness. These trays are shipped unplugged to simplify removal prior to mounting the section. After releasing the end LED trays put them side with their reflectors to be installed after the fixture is mounted. Use caution to reinstall the removed trays to their original position. **Note: Only remove the end LED trays for mounting**

Step 4: Fixture Mounting (Figures 8 - 9 - 10)

Note:

Fixture section labels may become hidden as fixture sections are installed. Take note of section labels to ensure proper placement of fixture sections.

Lift first fixture section into position. Route its power cable through pre-drilled holes in mounting surface to the remote driver location. (Fig 8)

Secure fixtures to Blocking (I- Fig 9) with appropriate Hardware (J- Fig 9) (by others) through factory provided mounting holes.

If factory mounting holes are not in the required location due to field conditions, extrusion TOP may be drilled in the field. Use caution not to distort extrusion or nick internal bus wires. All metal filing must be removed. Also use caution when removing additional LED trays as they are not containerized and stress on wires can damage the fixture.

If fixture has multiple sections, install next fixture section as indicated on submittal drawings. Position so matching labels are at the junction of the sections. Remove the Jack Screws (K - Figure 10) from the Receiver Brackets (L - Fig 10). Raise the next section into position then slide the Spline (N - Fig 10) into the Channel (O - Fig 10). Install the Jack Screws through the Spline Bracket into the receiver bracket and tighten until the section seem is firmly closed. DO NOT over tighten. Affix section to ceiling and blocking once sections are properly joined.

Figure 5

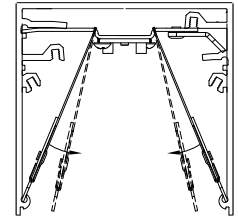


Figure 6

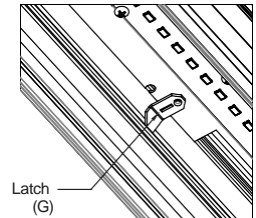


Figure 7

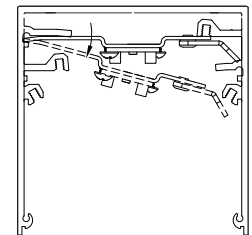


Figure 8

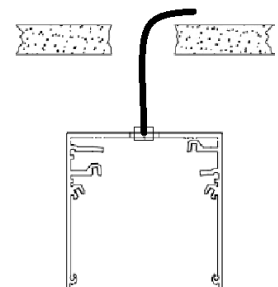


Figure 9

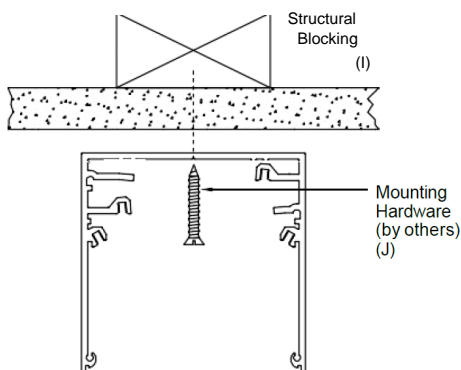
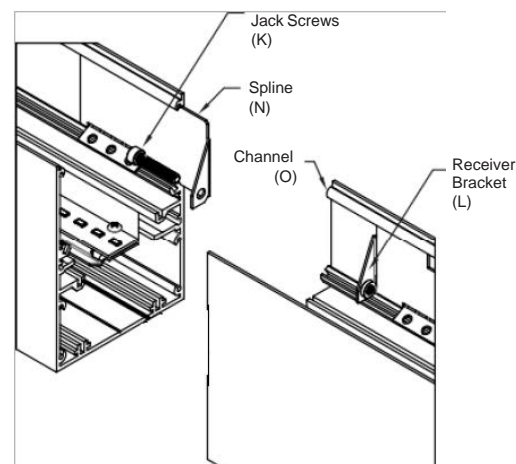


Figure 10



2" & 4" VersaLux LED Surface

Series SDX

Installation Instructions

Mounting Remote Driver (Figure 11 - 12)

Mount the remote driver designated for each section to blocking at a location where low voltage cables can be routed from the corresponding fixture section.

To access the mounting holes and the wiring compartment in the remote enclosure remove the Snap Cover from by twisting a small screwdriver in the pry notch along one edge of the cover.

Insert mounting screws (by others) through pre-drilled holes and fasten driver box to appropriate structure.

Note: Single driver enclosures come with clips that can be snapped on the top of grid members. If not needed, unscrew and discard and utilize holes for screws going into blocking (Fig 12)

Step 3: Wiring (Figure 13 - 14)

Low Voltage Connections

At the low voltage end, (Fig 13) remove cover screw and cover at low voltage (figure 11) end of the driver enclosure and feed each low voltage cable with its connectors from the fixture sections into the enclosure. Plug the connector into its mating connector.(Fig 14). Each pair of connectors will be labeled to correspond to the designated fixture section. Correct polarity is essential. Connectors are polarized. If for some reason they were removed. reattach them in the same orientation.

If multiple sections are supported by a single driver, all sections must be connected. If multiple drivers are in a large enclosure the same rules apply.

Line Voltage Connections

If fixture was ordered with optional whip, snap driver box cover back into place and make power and dimming connections at the junction box where the whip is terminated. Otherwise, remove knockout at the one end of the driver box and attached conduit using standard connectors (by others).

Make power and dimming connections according to chart below. When finished, snap the enclosure cover back on

DO NOT Energize the Remote Driver until its fixture section(s) are fully installed

Wiring Color Codes

Function	Standard 0-10V Dimming	Lutron 3 Wire Line Dimming	Lutron Eco Dimming	DALI
Switched Line (120-277V)	Black	Black	Black	Black
Neutral	White	White	White	White
Ground	Green	Green	Green	Green
Intensity 0-10V (+)	Purple			
Intensity 0-10V (-)	Grey			
CCT (TW option only) 0-10V (+)	Purple/White			
CCT (TW option only) 0-10V (-)	Brown			
Dimmed Line		Orange		
E1			Purple/White	
E2			Purple	
D1				Purple/White
D2				Purple

Figure 11

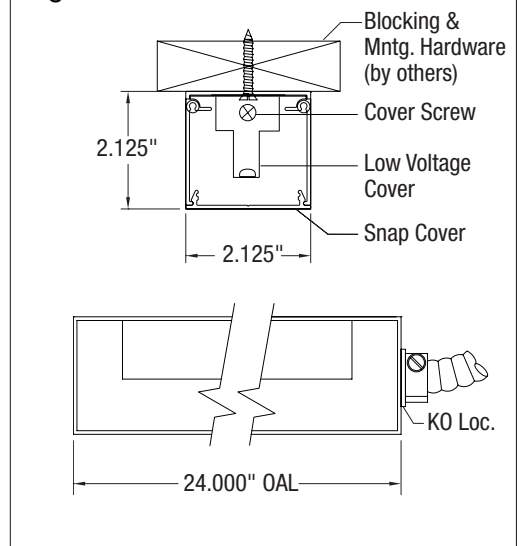


Figure 12

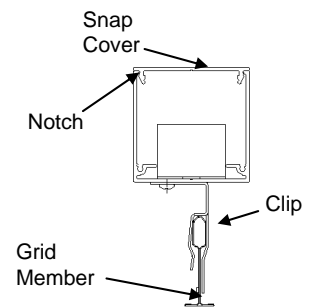


Figure 13

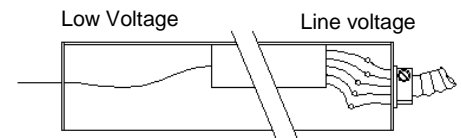
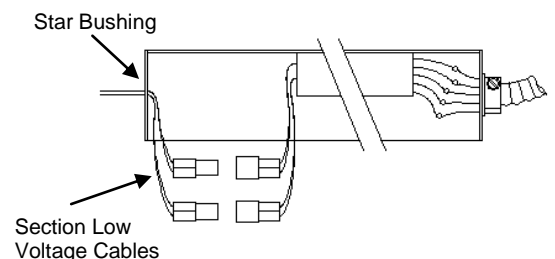


Figure 14



2" & 4" VersaLux LED Surface

Series SDX

Linear LED Surface Mount with External Driver

Installation Instructions

Step 5: Fixture Reassembly

When all fixture sections are mounted, fixture components must be reassembled

LED trays (Figure 15)

To reinstall the end LED trays, make sure the LED tray is being installed in the position it was removed from. First plug the connector from the tray into the connector in the housing,

Then tilt the LED tray into upper cavity until edge is firmly in Channel (P). Turn Latches sufficiently to secure the LED tray is in place.

Caution – Do not over tighten Latches or you may distort the extrusion and prevent the Lens from snapping firmly into place.

Reflectors (Figure 16)

Insert Tab (R) located at the top edge of Reflector into the slots in the LED Tray. Tilt bottom edge of reflector toward the outside of the fixture and fully turn cams to secure hold against the housing

If Reflectors do not fit easily, LED Tray or Reflector Tabs are not positioned correctly. **Caution** – Do not over tighten Cams or you may distort the extrusion and prevent the Lens from snapping firmly into place

Lenses (Figure 17)

Start at either end of the fixture run and locate the Lens labeled to match that section. Insert Lens into the aperture by placing about 1/8" of the lens under the End Cap Lip (S). Press the Lens firmly into the aperture, snapping it in place along its length. For adjoining sections, place the next Lens end adjacent to the previous Lens and snap in place.

Note: Lenses are precision cut slightly short of the overall length of the run. This allows for heat expansion. Slight gaps between lenses will close when the fixture is on. For single section fixtures, it may be necessary to bow the Lens slightly (T) to insert opposite end under the end cap lip, finish by snapping the center into place.

Service and Repair

DO NOT attempt to repair fixtures without first contacting the factory. Improper repair actions will void the warranty and can result in damage to the fixture components. Driver and LED components are custom configured at the factory. Generic replacements CANNOT be used. If any parts need replacing, they can be obtained from factory, properly configured for each fixture.

If directed to make a repair, turn off power to the fixture before disassembly.

CAUTION – Some fixtures have multiple circuits running through the wiring compartment including un-switched circuits. BE SURE ALL POWER IS OFF.

Disassembly and reassembly have been detailed previously in installation instructions; refer back as needed.

Figure 15

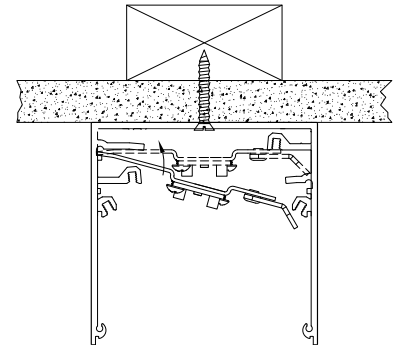


Figure 16

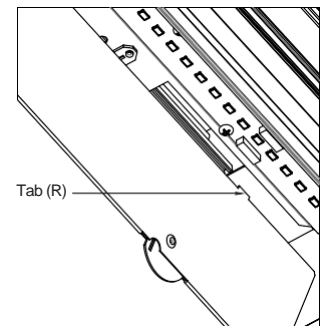


Figure 17

