



OVERVIEW: Installation instructions are intended for single or multi-section surface mount fixtures in wet location applications.

NOTE: Refer to electrical design for proper power and control circuiting.

Preparation

Install power feed and wet rated junction boxes in designated locations. Power and dimming feeds should terminate in designated junction boxes. See approved submittal drawing for locations.

WARNING:

- When removed, do not disassemble the lighting modules. There are no user serviceable parts inside.
- Screws suitable for wet locations and blocking type (by others) are used to attached fixture to building structure at the designated locations.
- Power and dimming wiring must be installed according to local electrical codes for wet locations.
- Flexible, non-metallic 3/8" conduit (by others) is used to route wiring from fixture to suitable junction box. Conduit must be positioned at designated power feed points. Conduit compression fitting will be factory installed at either the end cap or housing top – this cannot be changed in the field.

Unpacking

Unpack fixtures from crates/boxes. Locate section labels for assembly order. Fixtures sections are cut and wired for installation in defined positions. Lighting modules are shipped installed in fixture sections.

Note: It is necessary to remove lighting modules from housings to access mounting screw holes. Reinstall lighting modules in their original housings and ensure that they are fully seated in housing to maintain water tight integrity.

Position fixture sections under their designated mounting points, ensuring that the power feed is under the conduit location where power and dimming connections will be made.

Mounting – First/Single Section (Refer to Fig. 2)

To remove the lighting module from the housing, first locate the notch at one end of the housing. Insert a small flat blade screwdriver into the Notch and twist to extend the module from the housing – the module is held in place on spring loaded Swing Arms. Pull the module down until the Swing Arm(s) are fully extended and locked in the open position. Disconnect the DC power wires by pulling the Bullet Connectors apart at both ends of the lighting module.

To detach the lighting module from the Swing Arms, (Figure 3) open the Gate by inserting a straight blade screw driver in Slot and turn slightly to clear the passage. Now, unhook the Lighting Module from the Swing Arms. Place the lighting module aside for later reinstallation after the housings are mounted.

Note:

- 1) Bullet Connectors are configured so that they can only be reconnected in the correct polarity.
- 2) Lighting modules and housings are precision cut to length as a matching set. Always return Lighting Modules to their designated housings.

Figure 1

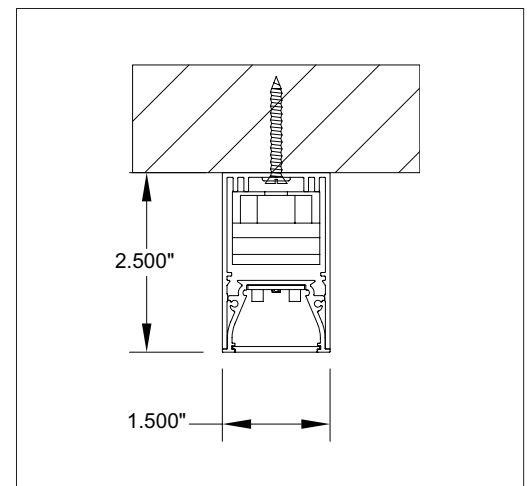
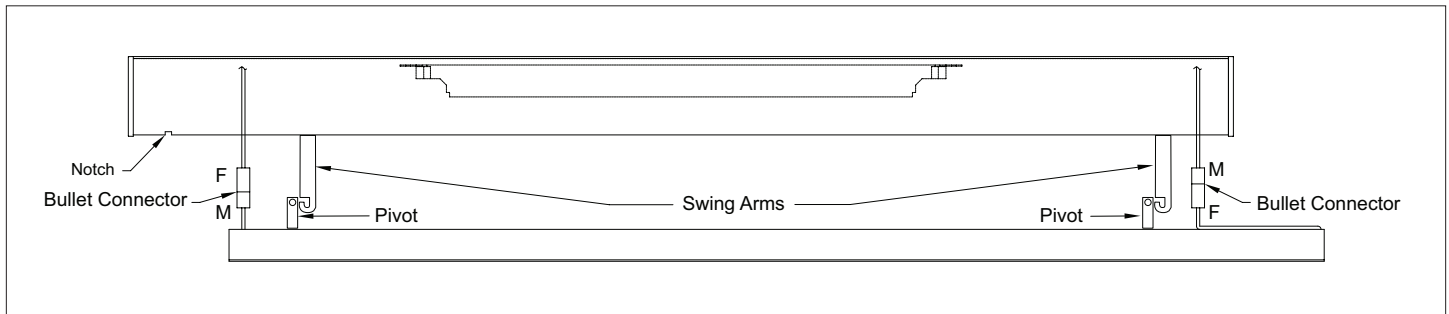


Figure 2



Mounting

If Top-Mount Conduit – Pull conduit down to allow connection. Remove compression nut and slip over conduit. Raise housing and insert conduit fully into connector. Slide compression nut onto fitting and tighten fully.

Push conduit back into ceiling and screw housing into blocking through holes equipped with gaskets. Use suitable screws by others.

Do not drill any holes in housing – It will void the water tight integrity.

If End-Mount Conduit – Attach housing to ceiling, then connect conduit to housing.

Make electrical connections per chart.

Wiring

Wiring Codes

Function	Standard 0-10V Dimming
Switched Line (120-277V)	Black
Neutral	White
Ground	Green
0-10V (+)	Purple
0-10V (-)	Grey

WIRING MUST CONFORM TO LOCAL CODES

Single Section – Reattach lighting module to the housing by reversing the steps associated with Figures 2 & 3.

Note: The module will only install in one direction allowing the Bullet Connectors to mate and the Swing Arms to attach to the Pivots. When complete, swing lighting module into the closed position.

Multi-Section – Refer to section labels to properly match sections and ends.

Detach lighting module from new section and as described above (Refer to Figures 2 & 3).

Remove the cap screw from the new section end cap (Fig. 4).

Figure 3

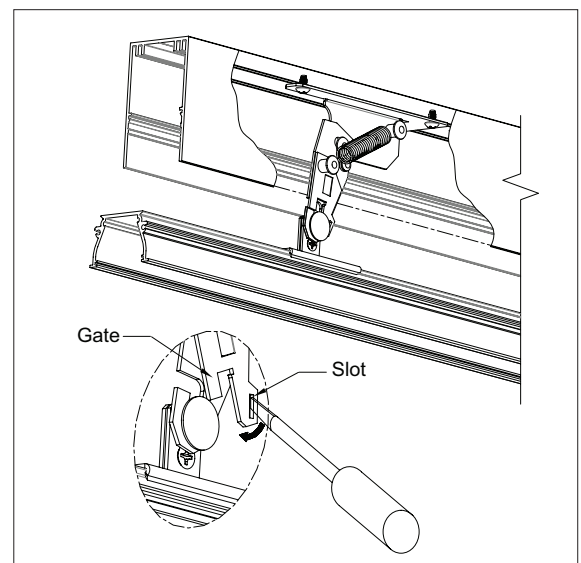
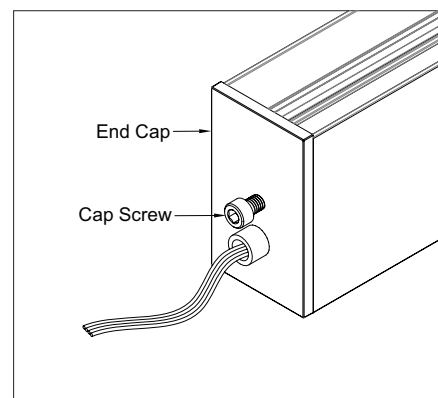


Figure 4



Multi-Section Wiring *(continued)*

Raise new housing into place and pass loose wire into hole on prior section.

(Refer to Fig. 5) From the inside of prior section, insert the cap screw into the new section and tighten with a ball end Allen driver (one is provided with each installation). Align the edges of the end caps and fully tighten the screw. Screw new section housing into blocking as described above.

Make Electrical Connections

Inside the prior section is a connector with bus wires that are already attached (Fig. 6 – A). Insert the loose wires into the connector ensuring that all colors match. Wires are pre-stripped to the correct length. Push wires fully into connector (Fig. 6 – B).

Tuck the wires and connector into the housing. If this is last section, reattach the lighting module as described above and swing closed. If there are additional sections, leave lighting module out and repeat steps above.

Service and Repair

DO NOT attempt to repair fixtures without first contacting the factory. Improper repair actions will void the warranty and may result in damage to the fixture components. Driver and LED components are custom configured at the factory. Generic replacements CANNOT be used. If any parts need replacing, obtain from factory; properly configured for each fixture.

If directed to make a repair, TURN OFF POWER to the fixture before disassembly.

Figure 5

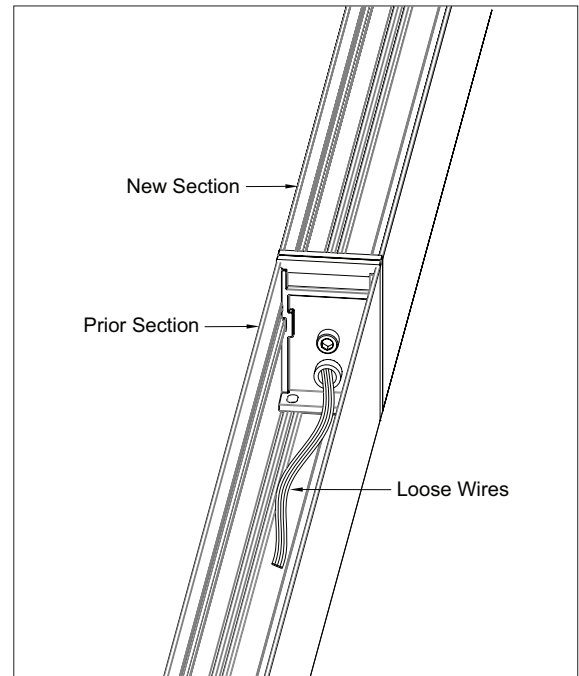


Figure 6

