

# 6" LED Direct Vapor Tight Utility Pendant

Series PDV6

Direct Cable Mount Pendant with Internal Driver

## Installation Instructions



**OVERVIEW:** Installation instructions are for suspension via aircraft cable.

**NOTE:** Refer to electrical design for proper power and control circuiting

## Preparation

Install power feeds and hanging points approved for fixture suspension at designated locations.

### WARNING:

- Some disassembly is required. Only disassemble components as directed.
- Power and dimming wiring must be installed according to local electrical codes to meet vapor/water tight environment requirements.
- Aircraft cable is factory terminated in crimped loop at ceiling end. Appropriate hanging device is required. If cable is to hang on small diameter device, a ferrule is recommended to prevent damage to the cable. Hanging Device and Ferrule by others.

## Unpacking

Unpack fixtures from crates/boxes. Position fixture under its hanging points. Power can be fed into and out of the fixture at either end. The end that is closest to the internal connection points is labelled "Power Feed This End".

## Mounting (Refer to Figure 1)

Raise the fixture and attach the looped end of the aircraft cable to the hanging device. Ensure it is secure.

Repeat at other end of fixture.

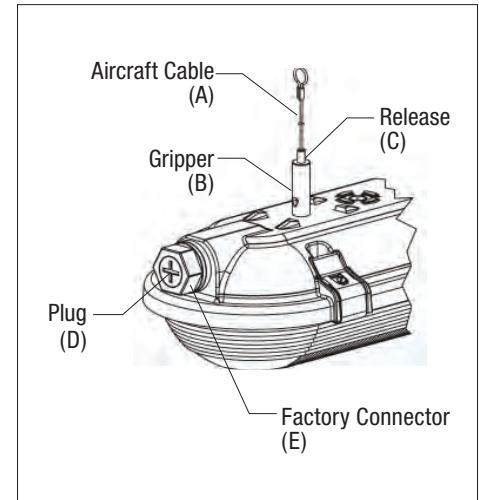
Adjust fixture to desired height by inserting or extending Aircraft Cable (A) into Gripper (B) at the top of fixture. To shorten Cable; hold fixture and push Cable into Gripper. To lengthen Cable, hold fixture, press down Release (C) on top of Gripper and draw Cable out, then release.

**Note:** If excess cable is trimmed off near bottom of Gripper, attach a crimp to the end of the cable to act as a safety stop.

To attach appropriate conduit to fixture conduit connector(s), remove threaded Plug (D) from Connector and attach conduit. Do not remove factory provided Conduit Connectors (E) as they are part of the approved water-tight seal.

If necessary, utilize approved adapters (by others) to mate to conduit type used.

Figure 1



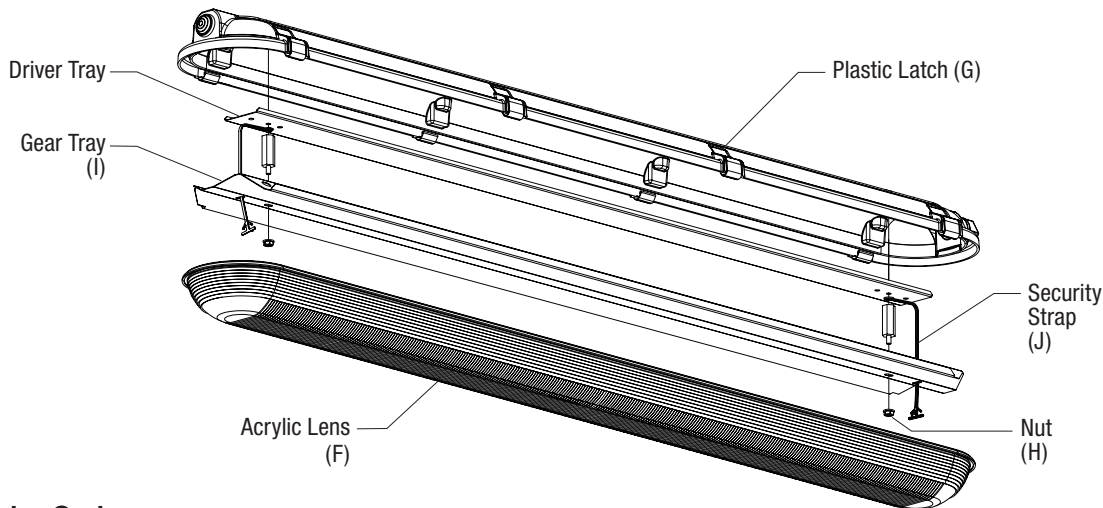
# 6" LED Direct Vapor Tight Utility Pendant

Series PDV6

Direct Cable Mount Pendant with Internal Driver

Installation Instructions

Figure 2



## Wiring Color Codes

Function	Color
Switched Hot (120-277V)	Black
Neutral	White
Ground	Green
0-10V Dimming (+)	Purple
0-10V Dimming (-)	Grey

Cap ends of dimming if not in use.

## Wiring (Refer to Figure 2)

Remove the Lens (F) by unhooking the 8 Latches (G). Pull the pull tab at top of fixture out and unhook Latch from lip of Lens. When all Latches are unhooked, the Lens will drop down.

Unscrew Gear Tray Nuts (H) at both ends of Gear Tray (I) allowing it to hang on Security Straps (J). Driver tray to remain in place.

Feed wiring through conduit and into fixture allowing sufficient length to make required connections to the leads provided.

## Finishing (Refer to Figures 3 & 4)

Raise Lens to fixture and press into the foam gasket. Hook the Latches onto the Lens ensuring the hook goes over the lip of the Lens as shown in Figure 3, not as shown in Figure 4. You may need to squeeze the housing together slightly; Push the Tab at top to lock into place. Repeat for all 8 latches.

## Service and Repair

Do not attempt to repair fixtures without first contacting the factory. Improper repair actions will void the warranty and can result in damage to the fixture components. Driver and LED components are custom configured at the factory. Generic replacements CANNOT be used. If any of parts need replacing, they can be obtained from the factory; properly configured for each fixture.

If directed to make a repair, TURN OFF POWER to the fixture before disassembly.

**CAUTION:** Some fixtures have multiple circuits running through the wiring compartment including un-switched circuits. BE SURE all power is OFF before servicing.

Figure 3



Correct

Figure 4



Incorrect

