

T5 Vanity Fixture

Balanced illumination in a
miniature architectural profile

LINEAR LIGHTING
DISPLAY
TASK
ACCENT
ADA

Tru-Lux Vanity

Specifications

LINEAR LIGHTING

**TRU-LUX™ VANITY
FIXTURES COMBINE
BALANCED
ILLUMINATION
AND THE BEAUTY
OF A MINIATURE
ARCHITECTURAL
PROFILE.**

Features

- ADA Compliant
- Remote or Integral Electronic Ballasts
- Standard or Custom Fixture Lengths

Lamp Data

including socket

T5 Lamp
OSRAM SYLVANIA, PHILIPS

WATTAGE	NOM. LENGTH	INITIAL LUMENS
14 W	22"	1350
21 W	34"	2100
28 W	46"	2900
35 W	58"	3650

- **LAMP LIFE**
16,000 hours
- **CRI:** 82
- **COLOR TEMPERATURE**
3000°K, 3500°K, 4000°K

Fixture Lengths

24.75"	24"
36.75"	36"
48.75"	48"
60.00"	60"

Typical Specification Number

180	-	14T5	-	24	-	PC	-	120
PROFILE		WATTAGE		FIX LENGTH		FINISH		VOLTAGE

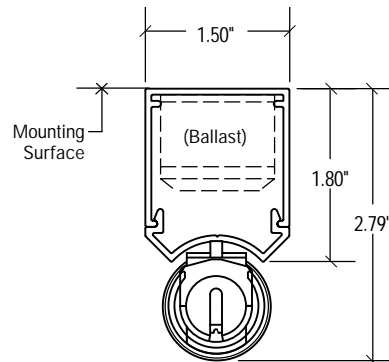
Ordering Guide

PROFILE	WATTAGE	FIX LENGTH	FINISH	VOLTAGE
180	14 T5	24" (14W)	Chrome PC	120
080	21 T5	36" (21W)	Brass BR	277
	28 T5	48" (28W)	White WH	
	35 T5	60" (35W)	Custom (Specify)	

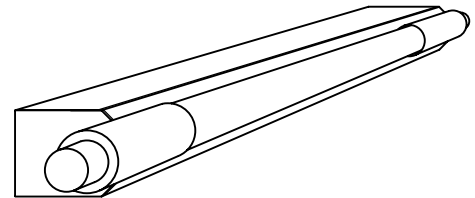
All fixture lengths are nominal. See Lamp Data for actual dimensions.

CAT NO DIMENSIONS PERSPECTIVE VIEW

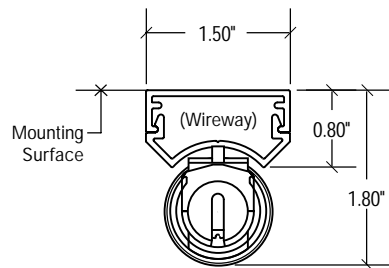
180



INTEGRAL BALLAST

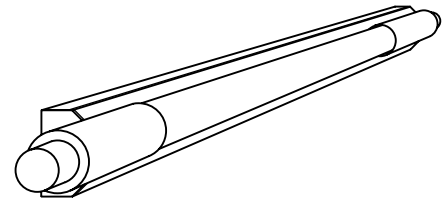


080



REMOTE BALLAST

(length of wiring not to exceed 10' distance from fixture)



Tru-Lux Vanity fixtures are UL listed.
All electrical components are UL recognized.

starfire™

TOLL FREE 800-443-8823
FAX 201-438-9541

INTERNET www.starfirelighting.com
E-MAIL info@starfirelighting.com

7 DONNA DRIVE
WOOD-RIDGE, NJ 07075