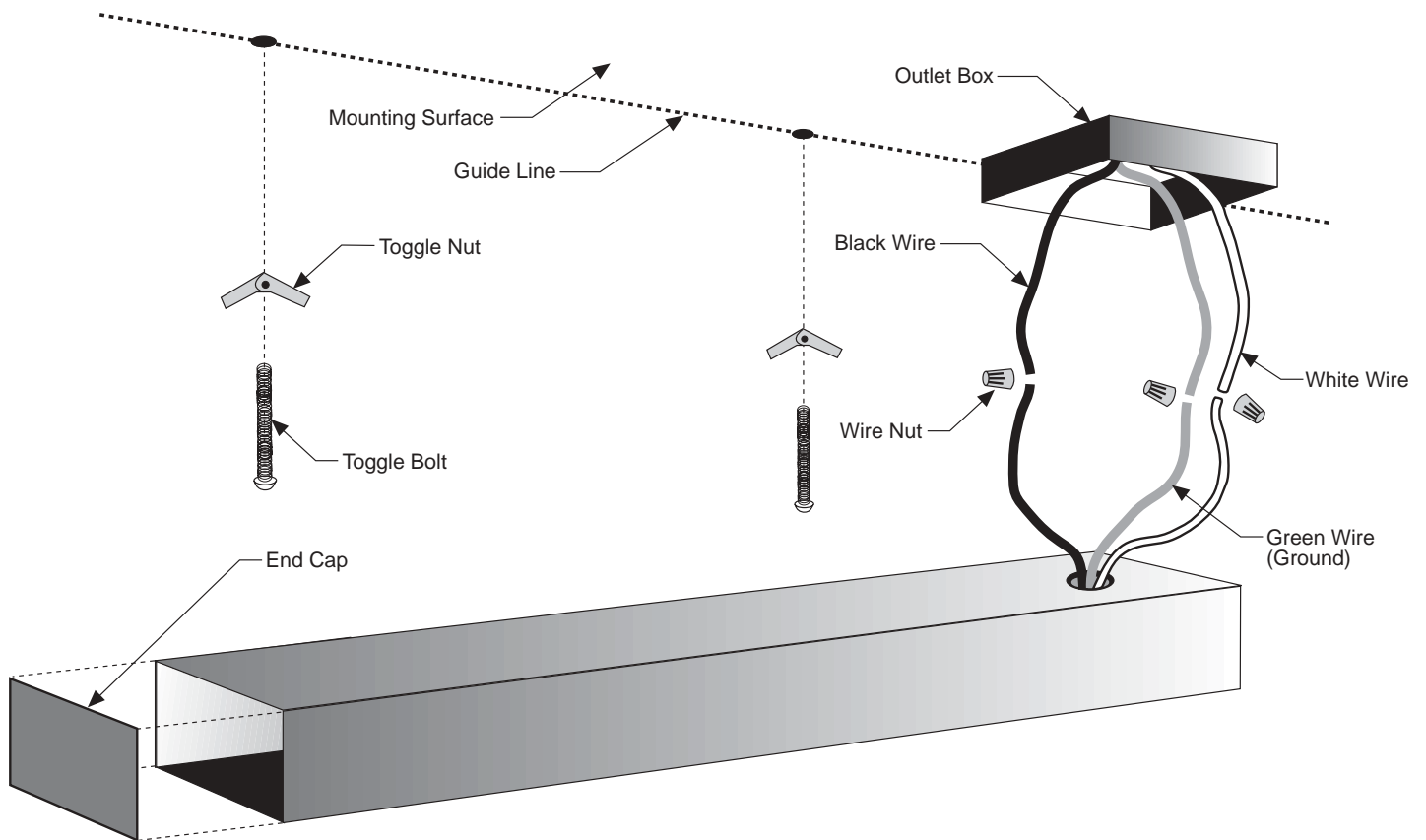


TECHTRAC™

MOUNTING AND WIRING INSTRUCTIONS



1. Draw Guidelines on ceiling to give a complete layout of the finished TECHTRAC installation. Pay particular attention to corners and junctions.
2. Each track section is secured with appropriate hardware.
3. Connect TECHTRAC to the ceiling service with the enclosed hardware. Proper grounding is required to all metal parts.

starfire™
LIGHTING INCORPORATED

7 Donna Drive, Wood-Ridge, NJ 07075
800-443-8823 FAX: 201-438-9541

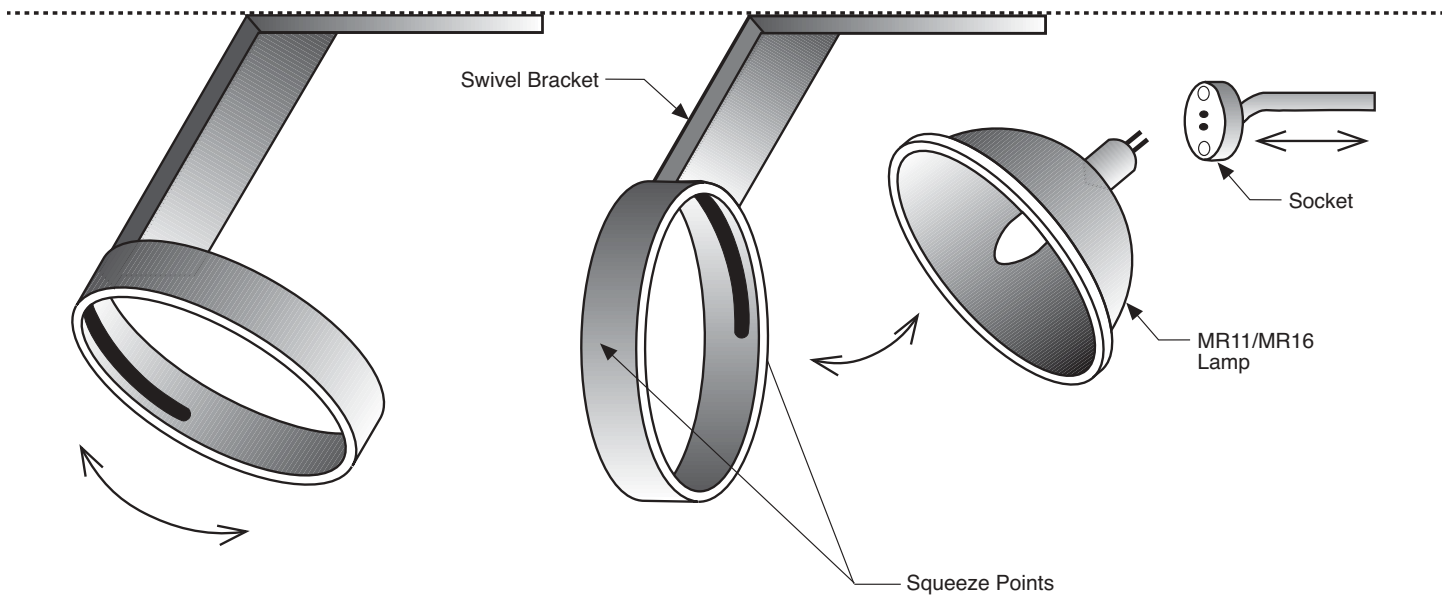
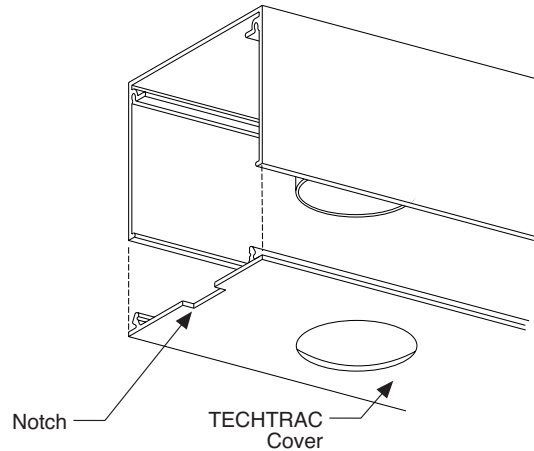
TECHTRAC™

LAMP REPLACEMENT INSTRUCTIONS

IMPORTANT: PLEASE READ ALL THE INSTRUCTIONS BEFORE LAMP REPLACEMENT.

BE SURE ALL ELECTRICAL POWER IS OFF!

CHANGE LAMP ONLY WHEN COOL!



1. To replace Lamp, first remove Cover by inserting screwdriver in Notch at one end of TECHTRAC section.
2. The Gimbal Ring is then oriented so that the Lamp lies sideways, pointing down the length of the track. Pull off the Socket. The Lamp is removed by squeezing the Gimbal Ring at the points indicated. This deforms the Gimbal Ring and the Lamp may be eased out with no difficulty.
3. A new Lamp is inserted in the same way, with moderate squeezing. The Lamp will snap into the Gimbal Ring and will be retained there as pressure is released. The socket may then be connected to the base and the Gimbal returned to the desired orientation. Replace Cover on TECHTRAC.

NOTE: If a louver or glass shield is used it will not interfere with these procedures.

starfire™
LIGHTING INCORPORATED

7 Donna Drive, Wood-Ridge, NJ 07075
800-443-8823 FAX: 201-438-9541