

# TECHTRAC™ CF

Compact Fluorescent

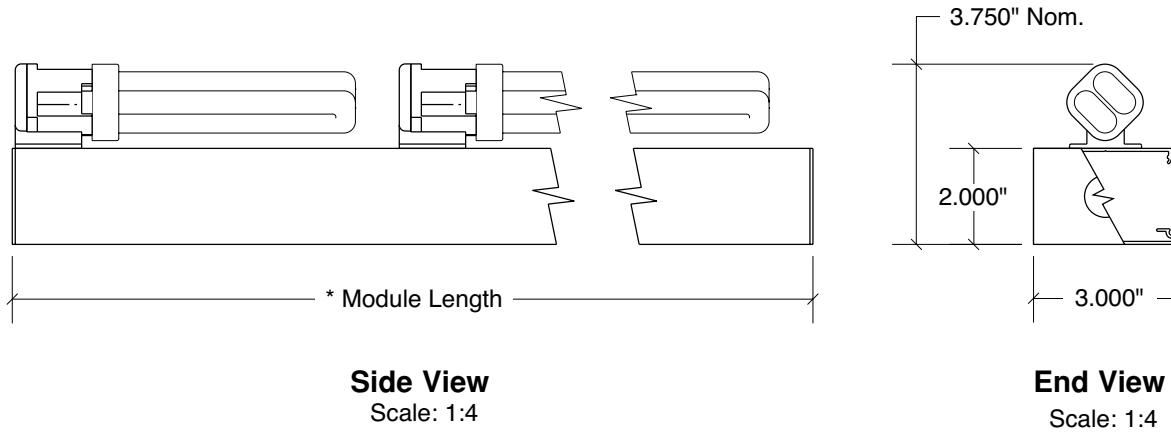
Product Code:

230 - CFQ18HE - \_\_\_\_\_ - 8 - \_\_\_\_\_  
 (Length) (Spacing) (Finish)

Fixture Type:

## CFQ18

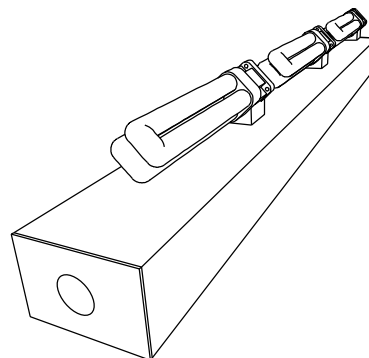
230 / CFQ18 - In-Line Lamps / Integral HPF Electronic Ballast



**Side View**  
Scale: 1:4

**End View**  
Scale: 1:4

		* Module Length
Number Lamps	1	8.000"
	3	24.000"
	6	48.000"
	12	96.000"



**Perspective View**  
Scale: NTS

**Notes**

1-Fixture ambient temperature **not to exceed** 100°F. Fixture is NYC approved Calendar No. 37559.

2-Unless otherwise specified, all exposed metal parts to have a standard semi-gloss White painted finish. Consult factory for alternate finishes.

3-Lamps provided by others. Recommended Lamps to be 18 watt 4 pin compact fluorescent quad. Warning, risk of fire. Do not exceed maximum recommended wattage.

4-Fixture provided with Ø.875" knockout centered on each end cap.

5-Fixture is intended to be powered by integral high power factor electronic ballast; **primary voltage as specified.**

Finishes	
<input type="checkbox"/>	<b>WH</b> White Paint (Std)
<input type="checkbox"/>	Custom (Specify)
Power Option	
<input type="checkbox"/>	120 VAC
<input type="checkbox"/>	277 VAC
<input type="checkbox"/>	Dimming (Consult Factory)



**Starfire Lighting, Inc.**

7 Donna Drive, Wood-Ridge, NJ 07075  
 (201) 438-9540 FAX: (201) 438-9541  
 Toll Free: (800) 443-8823  
 E-Mail: info@starfirelighting.com

Date:

Starfire Agent:

Drawing No:

**0190**

Project:

Specified by:

All designs and scale drawings shall remain the property of STARFIRE LIGHTING, INC., and may not be reproduced or transmitted without the expressed written consent of the manufacturer.

STARFIRE LIGHTING, INC. reserves the right to make changes on approved designs to facilitate manufacturing methods to the extent that such changes do not compromise design integrity.

# TECHTRAC™ CF

Compact Fluorescent

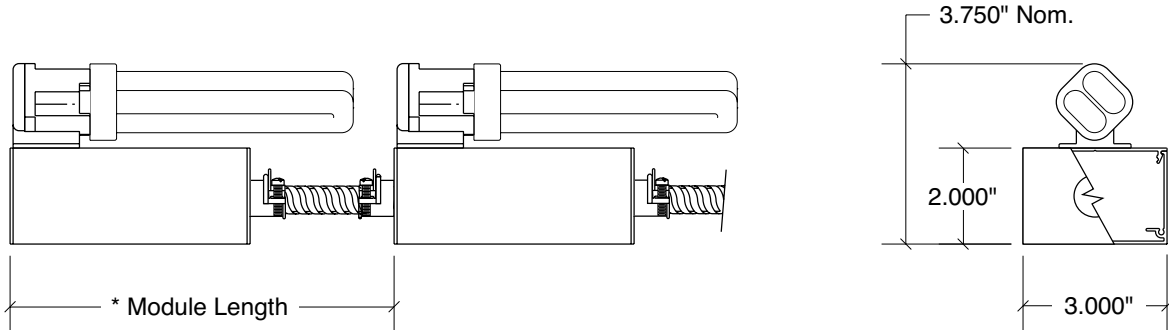
Product Code:

230 - CFQ18HE - \_\_\_\_\_ - 8 - \_\_\_\_\_ - FLX  
 (Length) (Spacing) (Finish)

Fixture Type:

230 / CFQ18 - In-Line Lamps, Flex / Integral HPF Electronic Ballast

CFQ18



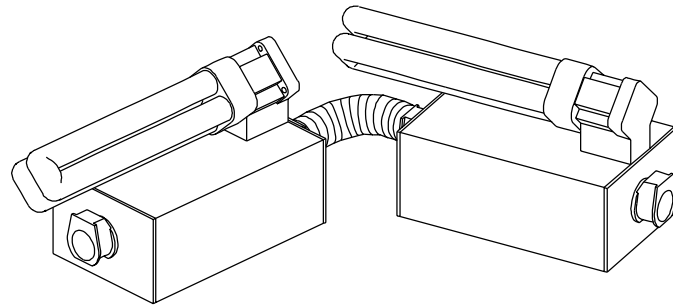
**Side View**

Scale: 1:4

**End View**

Scale: 1:4

	* Module Length
Number Lamps	1 8.000"
	3 24.000"
	6 48.000"
	12 96.000"



**Perspective View**

Scale: NTS

**Notes**

1-Fixture ambient temperature **not to exceed** 100°F. Fixture is NYC approved Calendar No. 37559.

2-Unless otherwise specified, all exposed metal parts to have a standard semi-gloss White painted finish. Consult factory for alternate finishes.

3-Lamps provided by others. Recommended Lamps to be 18 watt 4 pin compact fluorescent quad. Warning, risk of fire. Do not exceed maximum recommended wattage.

4-Fixture provided with Ø.875" knockout centered on each end cap.

5-Fixture is intended to be powered by integral high power factor electronic ballast; **primary voltage as specified.**

6-Special mounting requirements may apply, consult factory for details.

**Finishes**

- WH White Paint (Std)
- Custom (Specify)

**Power Option**

- 120 VAC
- 277 VAC
- Dimming (Consult Factory)



**Starfire Lighting, Inc.**

7 Donna Drive, Wood-Ridge, NJ 07075  
 (201) 438-9540 FAX: (201) 438-9541  
 Toll Free: (800) 443-8823  
 E-Mail: info@starfirelighting.com

Date:

Starfire Agent:

Drawing No:

**0191**

Project:

Specified by:

All designs and scale drawings shall remain the property of STARFIRE LIGHTING, INC., and may not be reproduced or transmitted without the expressed written consent of the manufacturer.

STARFIRE LIGHTING, INC. reserves the right to make changes on approved designs to facilitate manufacturing methods to the extent that such changes do not compromise design integrity.