

TECHTRAC™ CF

Compact Fluorescent

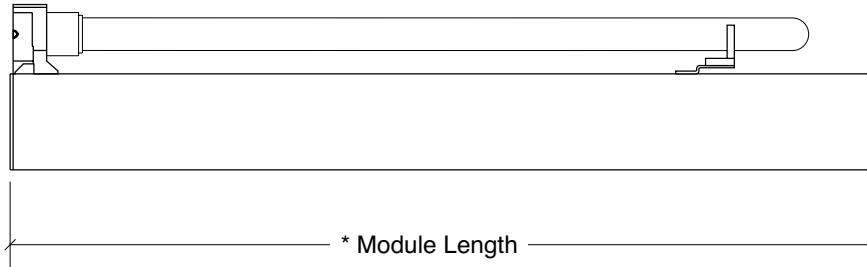
Product Code:

230 - CF39HE - _____ - 18 - _____
 (Length) (Spacing) (Finish)

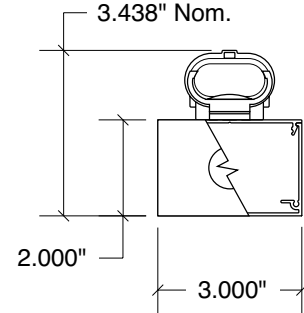
Fixture Type:

CF39

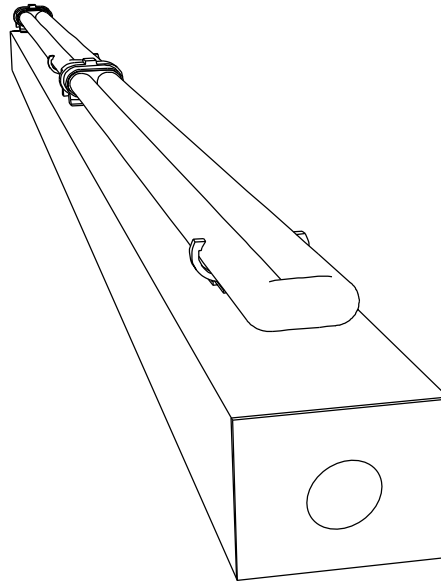
230 / CF39 - In-Line Lamps / Integral HPF Electronic Ballast



Side View
Scale: 1:4



End View
Scale: 1:4



Perspective View
Scale: NTS

		* Module Length
Number Lamps	1	18.000"
	2	36.000"
	4	72.000"

Notes

1-Fixture ambient temperature **not to exceed** 100° F. Fixture is NYC approved Calendar No. 37559.

2-Unless otherwise specified, all exposed metal parts to have a standard semi-gloss White painted finish. Consult factory for alternate finishes.

3-Lamps provided by others. Fixture operates 39 watt or 36 watt compact fluorescent lamps. Warning, risk of fire. Do not exceed maximum recommended wattage.

4-Fixture provided with Ø.875" knockout centered on each end cap.

5-Fixture is intended to be powered by integral high power factor electronic ballast; **primary voltage as specified.**

Finishes	
<input type="checkbox"/>	WH White Paint (Std)
<input type="checkbox"/>	Custom (Specify)
Power Option	
<input type="checkbox"/>	120 VAC
<input type="checkbox"/>	277 VAC
<input type="checkbox"/>	Dimming (Consult Factory)



Starfire Lighting, Inc.
 7 Donna Drive, Wood-Ridge, NJ 07075
 (201) 438-9540 FAX: (201) 438-9541
 Toll Free: (800) 443-8823
 E-Mail: info@starfirelighting.com

Date: _____ Starfire Agent: _____

Drawing No:
0154

Project: _____

Specified by: _____

All designs and scale drawings shall remain the property of STARFIRE LIGHTING, INC., and may not be reproduced or transmitted without the expressed written consent of the manufacturer.

STARFIRE LIGHTING, INC. reserves the right to make changes on approved designs to facilitate manufacturing methods to the extent that such changes do not compromise design integrity.

TECHTRAC™ CF

Compact Fluorescent

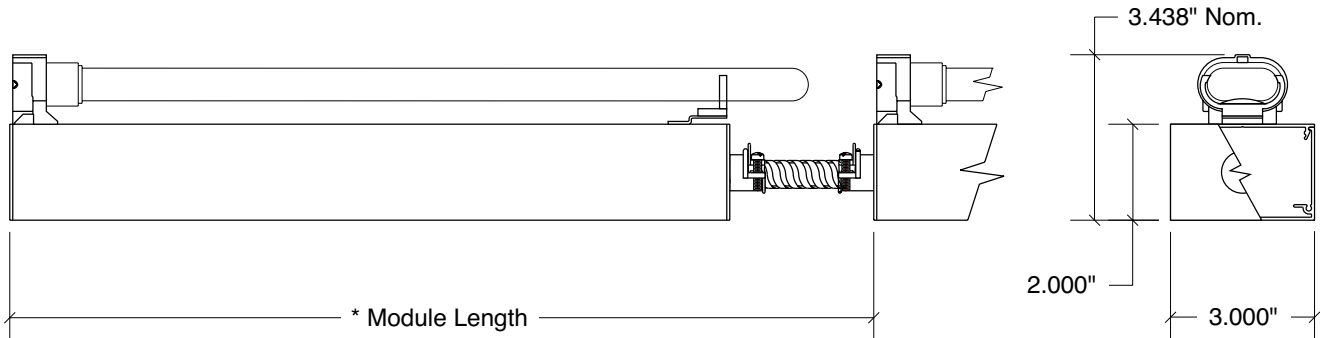
Product Code:

230 - CF39HE - _____ - 18 - _____ - FLX
 (Length) (Spacing) (Finish)

Fixture Type:

230 / CF39 - In-Line Lamps, Flex / Integral HPF Electronic Ballast

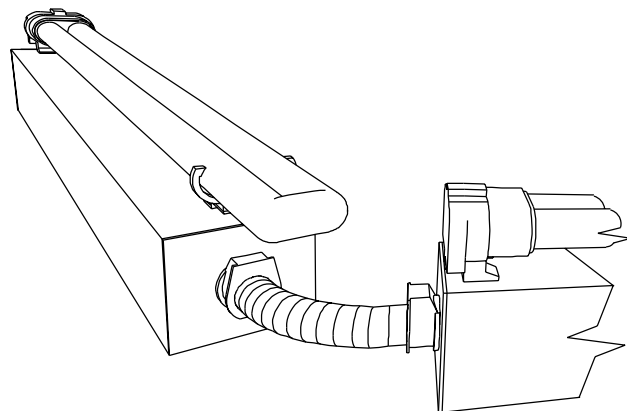
CF39



Side View
Scale: 1:4

End View
Scale: 1:4

Number Lamps		* Module Length
1		18.000"
2		36.000"
4		72.000"



Perspective View
Scale: NTS

Notes

1-Fixture ambient temperature **not to exceed** 100° F. Fixture is NYC approved Calendar No. 37559.

2-Unless otherwise specified, all exposed metal parts to have a standard semi-gloss White painted finish. Consult factory for alternate finishes.

3-Lamps provided by others. Fixture operates 39 watt or 36 watt compact fluorescent lamps. Warning, risk of fire. Do not exceed maximum recommended wattage.

4-Fixture provided with Ø.875" knockout centered on each end cap.

5-Fixture is intended to be powered by integral high power factor electronic ballast; **primary voltage as specified.**



Finishes	
<input type="checkbox"/>	WH White Paint (Std)
<input type="checkbox"/>	Custom (Specify)
Power Option	
<input type="checkbox"/>	120 VAC
<input type="checkbox"/>	277 VAC
<input type="checkbox"/>	Dimming (Consult Factory)



Starfire Lighting, Inc.

7 Donna Drive, Wood-Ridge, NJ 07075
 (201) 438-9540 FAX: (201) 438-9541
 Toll Free: (800) 443-8823
 E-Mail: info@starfirelighting.com

Date:

Starfire Agent:

Drawing No:

0155

Project:

Specified by:

All designs and scale drawings shall remain the property of STARFIRE LIGHTING, INC., and may not be reproduced or transmitted without the expressed written consent of the manufacturer.

STARFIRE LIGHTING, INC. reserves the right to make changes on approved designs to facilitate manufacturing methods to the extent that such changes do not compromise design integrity.

TECHTRAC™ CF

Compact Fluorescent

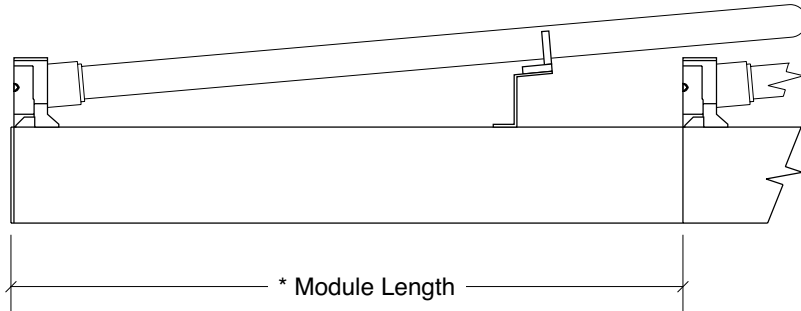
Product Code:

230 - CF39HE - _____ - 14 - _____ - OVR
 (Length) (Spacing) (Finish)

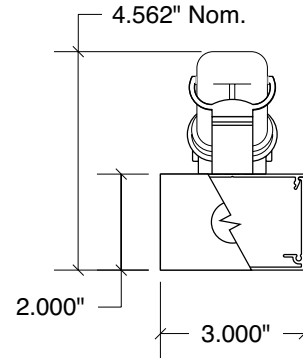
Fixture Type:

CF39

230 / CF39 - In-Line Lamps, Overlap / Integral HPF Electronic Ballast

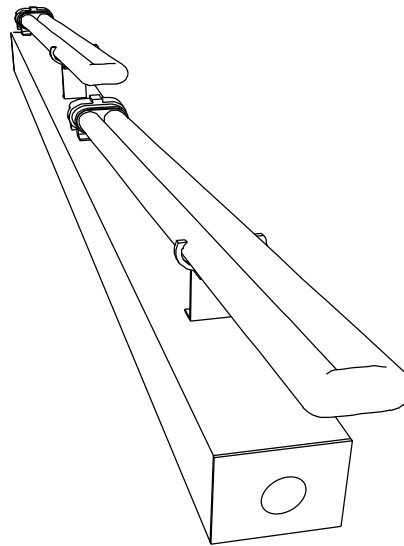


Side View
Scale: 1:4



End View
Scale: 1:4

		* Module Length
Number Lamps	1	14.000"
	2	28.000"
	4	56.000"
	6	84.000"
Allow 4" at end of run for relamping		



Perspective View
Scale: NTS

Notes

1-Fixture ambient temperature **not to exceed** 100° F. Fixture is NYC approved Calendar No. 37559.

2-Unless otherwise specified, all exposed metal parts to have a standard semi-gloss White painted finish. Consult factory for alternate finishes.

3-Lamps provided by others. Fixture operates 39 watt or 36 watt compact fluorescent lamps. Warning, risk of fire. Do not exceed maximum recommended wattage.

4-Fixture provided with Ø.875" knockout centered on each end cap.

5-Fixture is intended to be powered by integral high power factor electronic ballast; **primary voltage as specified.**

Finishes	
<input type="checkbox"/>	WH White Paint (Std)
<input type="checkbox"/>	Custom (Specify)
Power Option	
<input type="checkbox"/>	120 VAC
<input type="checkbox"/>	277 VAC
<input type="checkbox"/>	Dimming (Consult Factory)



Starfire Lighting, Inc.

7 Donna Drive, Wood-Ridge, NJ 07075
 (201) 438-9540 FAX: (201) 438-9541
 Toll Free: (800) 443-8823
 E-Mail: info@starfirelighting.com

Date:

Starfire Agent:

Drawing No:

0156

Project:

Specified by:

All designs and scale drawings shall remain the property of STARFIRE LIGHTING, INC., and may not be reproduced or transmitted without the expressed written consent of the manufacturer.

STARFIRE LIGHTING, INC. reserves the right to make changes on approved designs to facilitate manufacturing methods to the extent that such changes do not compromise design integrity.

TECHTRAC™ CF

Compact Fluorescent

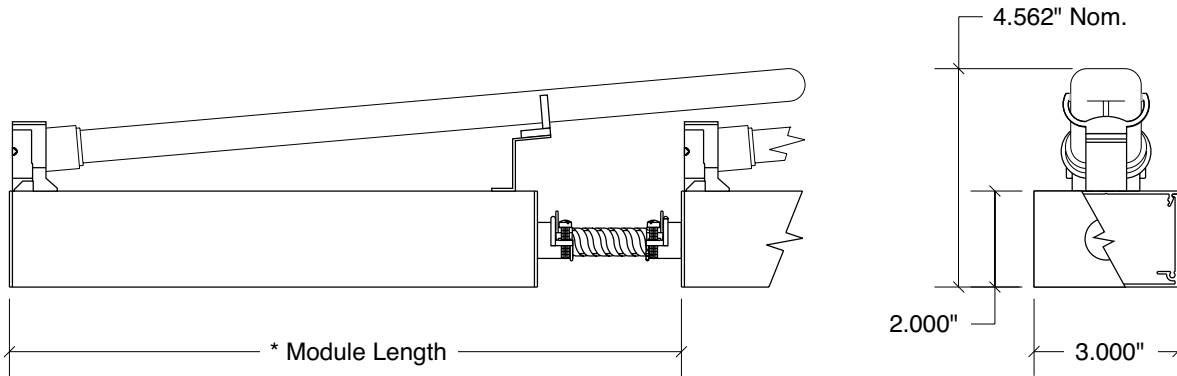
Product Code:

230 - CF39HE - _____ - 14 - _____ - OVR - FLX
 (Length) (Spacing) (Finish)

Fixture Type:

230 / CF39 - In-Line Lamps, Overlap, Flex / Integral HPF Electronic Ballast

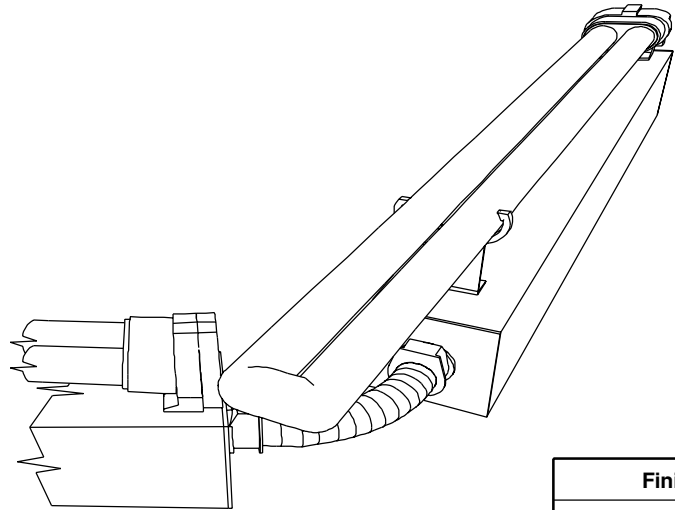
CF39



Side View
Scale: 1:4

End View
Scale: 1:4

		* Module Length
Number Lamps	1	14.000"
	2	28.000"
	4	56.000"
	6	84.000"
Allow 4" at end of run for relamping		



Perspective View
Scale: NTS

Notes

1-Fixture ambient temperature **not to exceed** 100° F. Fixture is NYC approved Calendar No. 37559.

2-Unless otherwise specified, all exposed metal parts to have a standard semi-gloss White painted finish. Consult factory for alternate finishes.

3-Lamps provided by others. Fixture operates 39 watt or 36 watt compact fluorescent lamps. Warning, risk of fire. Do not exceed maximum recommended wattage.

4-Fixture provided with Ø.875" knockout centered on each end cap.

5-Fixture is intended to be powered by integral high power factor electronic ballast; **primary voltage as specified.**

Finishes	
<input type="checkbox"/>	WH White Paint (Std)
<input type="checkbox"/>	Custom (Specify)
Power Option	
<input type="checkbox"/>	120 VAC
<input type="checkbox"/>	277 VAC
<input type="checkbox"/>	Dimming (Consult Factory)



Starfire Lighting, Inc.
 7 Donna Drive, Wood-Ridge, NJ 07075
 (201) 438-9540 FAX: (201) 438-9541
 Toll Free: (800) 443-8823
 E-Mail: info@starfirelighting.com

Date:	Starfire Agent:	Drawing No: 0157
Project:		
Specified by:		

All designs and scale drawings shall remain the property of STARFIRE LIGHTING, INC., and may not be reproduced or transmitted without the expressed written consent of the manufacturer.
 STARFIRE LIGHTING, INC. reserves the right to make changes on approved designs to facilitate manufacturing methods to the extent that such changes do not compromise design integrity.