

TECHTRAC™ CF

Compact Fluorescent

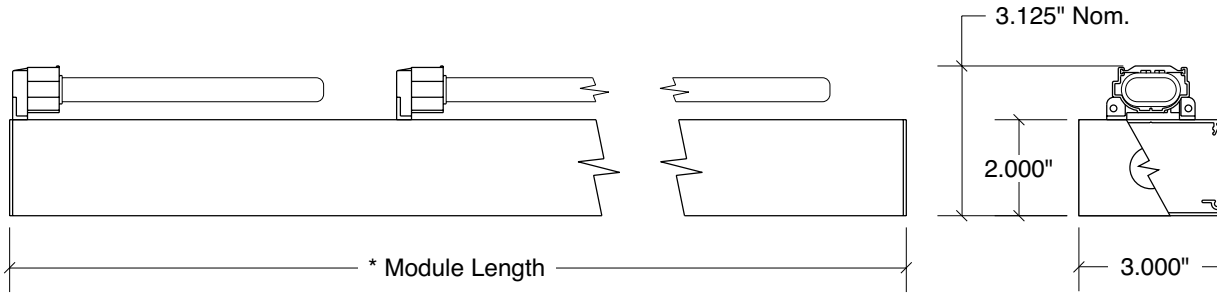
Product Code:

230 - CF13HE - _____ - 8 - _____
 (Length) (Spacing) (Finish)

Fixture Type:

CF13

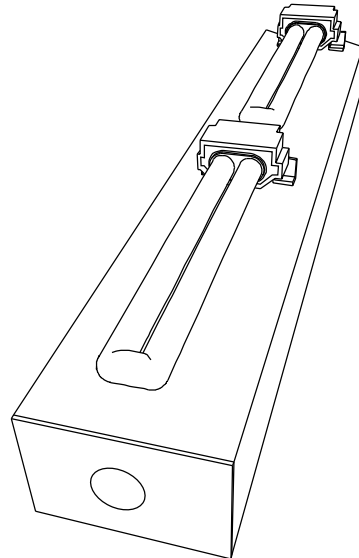
230 / CF13 - In-Line Lamps / Integral HPF Electronic Ballast



Side View
Scale: 1:4

End View
Scale: 1:4

		* Module Length
Number Lamps	1	8.000"
	3	24.000"
	6	48.000"
	12	96.000"



Perspective View
Scale: NTS

Notes

- 1-Fixture ambient temperature **not to exceed** 100° F. Fixture is NYC approved Calendar No. 37559.
- 2-Unless otherwise specified, all exposed metal parts to have a standard semi-gloss White painted finish. Consult factory for alternate finishes.
- 3-Lamps provided by others. **Recommended** Lamps to be 13 watt 4 pin compact fluorescent such as Osram Sylvania Dulux S/E. Warning, risk of fire. Do not exceed maximum recommended wattage.
- 4-Fixture provided with Ø.875" knockout centered on each end cap.
- 5-Fixture is intended to be powered by integral high power factor electronic ballast; **primary voltage as specified.**

Finishes	
<input type="checkbox"/>	WH White Paint (Std)
<input type="checkbox"/>	Custom (Specify)
Power Option	
<input type="checkbox"/>	120 VAC
<input type="checkbox"/>	277 VAC



Starfire Lighting, Inc.

7 Donna Drive, Wood-Ridge, NJ 07075
 (201) 438-9540 FAX: (201) 438-9541
 Toll Free: (800) 443-8823
 E-Mail: info@starfirelighting.com

Date:	Starfire Agent:	Drawing No: 0120
-------	-----------------	----------------------------

Project:

Specified by:

All designs and scale drawings shall remain the property of STARFIRE LIGHTING, INC., and may not be reproduced or transmitted without the expressed written consent of the manufacturer.

STARFIRE LIGHTING, INC. reserves the right to make changes on approved designs to facilitate manufacturing methods to the extent that such changes do not compromise design integrity.

TECHTRAC™ CF

Compact Fluorescent

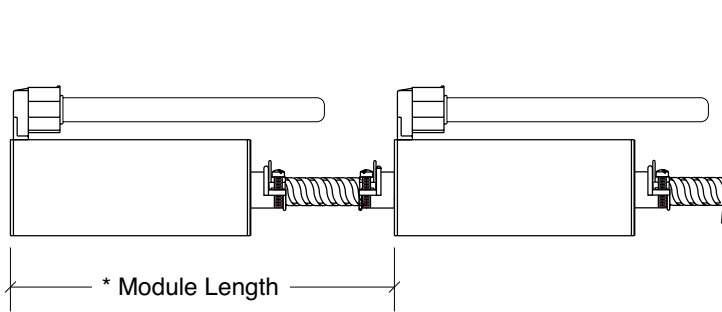
Product Code:

230 - CF13HE - _____ - 8 - _____ - FLX
 (Length) (Spacing) (Finish)

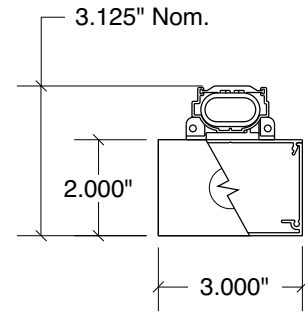
Fixture Type:

230 / CF13 - In-Line Lamps, Flex / Integral HPF Electronic Ballast

CF13

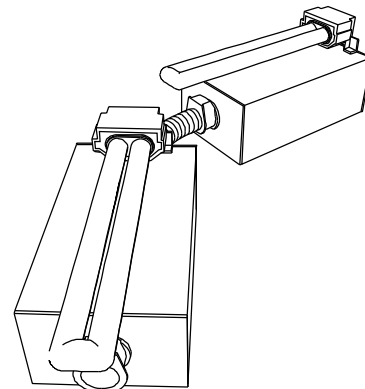


Side View
Scale: 1:4



End View
Scale: 1:4

	* Module Length
1	8.000"
3	24.000"
6	48.000"
12	96.000"



Perspective View
Scale: NTS

Notes

1-Fixture ambient temperature **not to exceed** 100° F. Fixture is NYC approved Calendar No. 37559.

2-Unless otherwise specified, all exposed metal parts to have a standard semi-gloss White painted finish. Consult factory for alternate finishes.

3-Lamps provided by others. Recommended Lamps to be 13 watt 4 pin compact fluorescent such as Osram Sylvania Dulux S/E. Warning, risk of fire. Do not exceed maximum recommended wattage.

4-Fixture provided with Ø.875" knockout centered on each end cap.

5-Fixture is intended to be powered by integral high power factor electronic ballast; **primary voltage as specified.**

6-Special mounting requirements may apply. Consult factory for details.

Finishes

- WH White Paint (Std)
- Custom (Specify)

Power Option

- 120 VAC
- 277 VAC



Starfire Lighting, Inc.

7 Donna Drive, Wood-Ridge, NJ 07075
 (201) 438-9540 FAX: (201) 438-9541
 Toll Free: (800) 443-8823
 E-Mail: info@starfirelighting.com

Date:

Starfire Agent:

Drawing No:

0121

Project:

Specified by:

All designs and scale drawings shall remain the property of STARFIRE LIGHTING, INC., and may not be reproduced or transmitted without the expressed written consent of the manufacturer.

STARFIRE LIGHTING, INC. reserves the right to make changes on approved designs to facilitate manufacturing methods to the extent that such changes do not compromise design integrity.

TECHTRAC™ CF

Compact Fluorescent

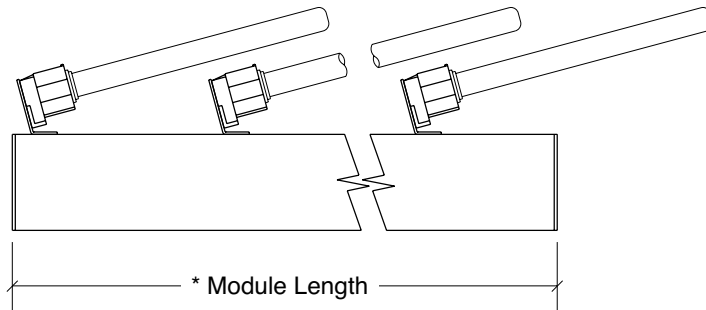
Product Code:

230 - CF13HE - _____ - 4 - _____ - OVR
 (Length) (Spacing) (Finish)

Fixture Type:

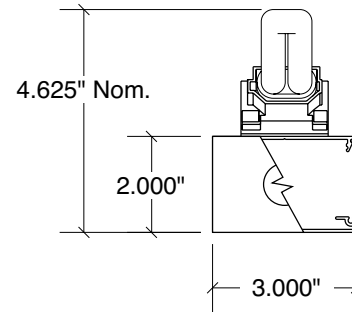
CF13

230 / CF13 - In-Line Lamps, Overlap / Integral HPF Electronic Ballast



Side View

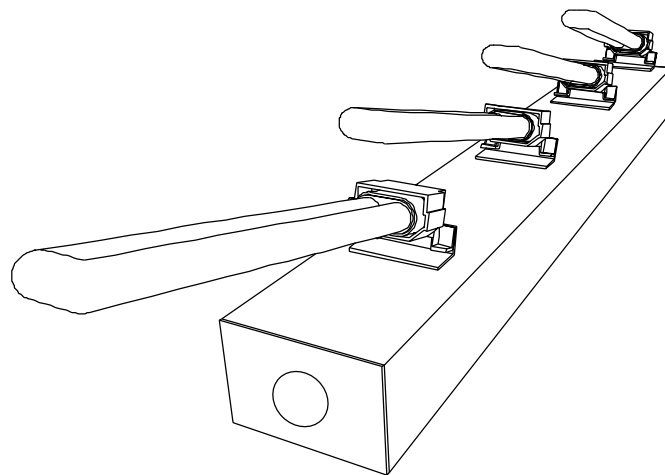
Scale: 1:4



End View

Scale: 1:4

		* Module Length
Number Lamps	2	8.000"
	6	24.000"
	12	48.000"
	24	96.000"
Allow 4" at end of run for relamping		



Perspective View

Scale: NTS

Notes

1-Fixture ambient temperature **not to exceed** 100° F. Fixture is NYC approved Calendar No. 37559.

2-Unless otherwise specified, all exposed metal parts to have a standard semi-gloss White painted finish. Consult factory for alternate finishes.

3-Lamps provided by others. Recommended Lamps to be 13 watt 4 pin compact fluorescent such as Osram Sylvania Dulux S/E. Warning, risk of fire. Do not exceed maximum recommended wattage.

4-Fixture provided with Ø.875" knockout centered on each end cap.

5-Fixture is intended to be powered by integral high power factor electronic ballast; **primary voltage as specified.**

6-Special mounting requirements may apply. Consult factory for details.

Finishes	
<input type="checkbox"/> WH	White Paint (Std)
<input type="checkbox"/>	Custom (Specify)
Power Option	
<input type="checkbox"/>	120 VAC
<input type="checkbox"/>	277 VAC



Starfire Lighting, Inc.

7 Donna Drive, Wood-Ridge, NJ 07075
 (201) 438-9540 FAX: (201) 438-9541
 Toll Free: (800) 443-8823
 E-Mail: info@starfirelighting.com

Date:

Starfire Agent:

Drawing No:

0122

Project:

Specified by:

All designs and scale drawings shall remain the property of STARFIRE LIGHTING, INC., and may not be reproduced or transmitted without the expressed written consent of the manufacturer.

STARFIRE LIGHTING, INC. reserves the right to make changes on approved designs to facilitate manufacturing methods to the extent that such changes do not compromise design integrity.

TECHTRAC™ CF

Compact Fluorescent

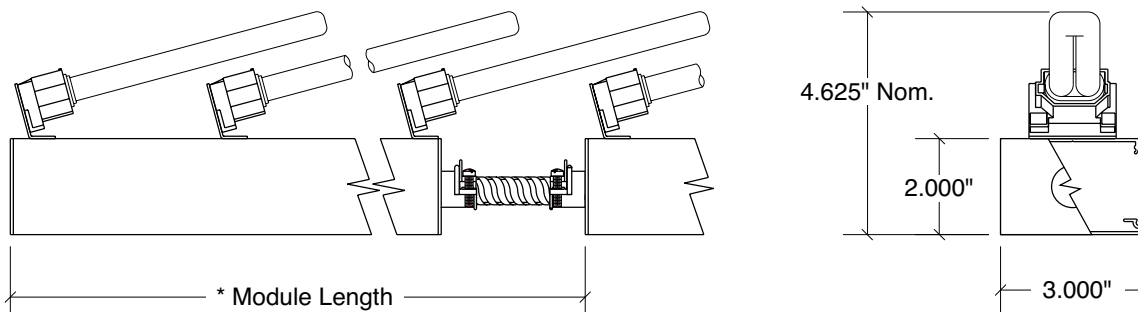
Product Code:

230 - CF13HE - _____ - 4 - _____ - OVR - FLX
 (Length) (Spacing) (Finish)

Fixture Type:

230 / CF13 - In-Line Lamps, Overlap, Flex / Integral HPF Electronic Ballast

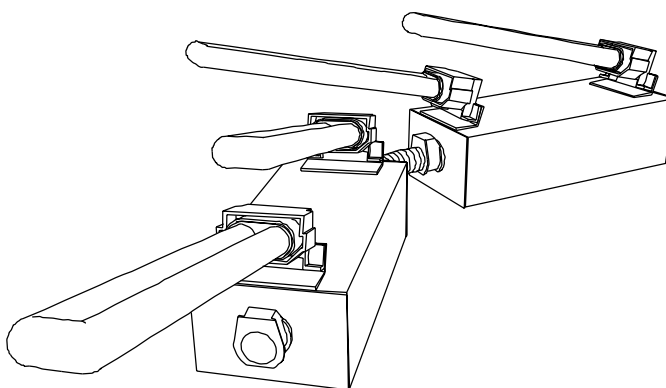
CF13



Side View
Scale: 1:4

End View
Scale: 1:4

	* Module Length
Number Lamps	2 8.000"
	6 24.000"
	12 48.000"
	24 96.000"
Allow 4" at end of run for relamping	



Perspective View
Scale: NTS

Notes

1-Fixture ambient temperature **not to exceed** 100° F. Fixture is NYC approved Calendar No. 37559.

2-Unless otherwise specified, all exposed metal parts to have a standard semi-gloss White painted finish. Consult factory for alternate finishes.

3-Lamps provided by others. Recommended Lamps to be 13 watt 4 pin compact fluorescent such as Osram Sylvania Dulux S/E. Warning, risk of fire. Do not exceed maximum recommended wattage.

4-Fixture provided with Ø.875" knockout centered on each end cap.

5-Fixture is intended to be powered by integral high power factor electronic ballast; **primary voltage as specified.**

6-Special mounting requirements may apply. Consult factory for details.



Finishes	
<input type="checkbox"/>	WH White Paint (Std)
<input type="checkbox"/>	Custom (Specify)
Power Option	
<input type="checkbox"/>	120 VAC
<input type="checkbox"/>	277 VAC



Starfire Lighting, Inc.

7 Donna Drive, Wood-Ridge, NJ 07075
 (201) 438-9540 FAX: (201) 438-9541
 Toll Free: (800) 443-8823
 E-Mail: info@starfirelighting.com

Date:

Starfire Agent:

Drawing No:

0123

Project:

Specified by:

All designs and scale drawings shall remain the property of STARFIRE LIGHTING, INC., and may not be reproduced or transmitted without the expressed written consent of the manufacturer.

STARFIRE LIGHTING, INC. reserves the right to make changes on approved designs to facilitate manufacturing methods to the extent that such changes do not compromise design integrity.

TECHTRAC™ CF

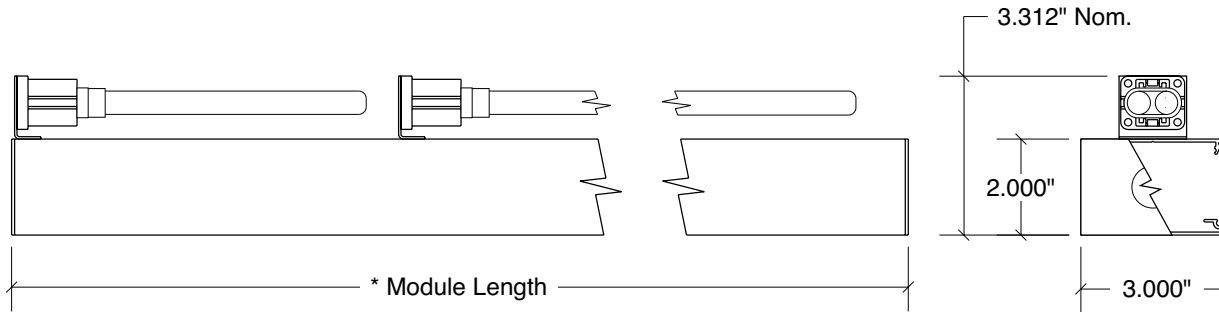
Compact Fluorescent

Product Code:
230 - CF13H - _____ - 8 - _____
(Length) (Spacing) (Finish)

Fixture Type:

CF13

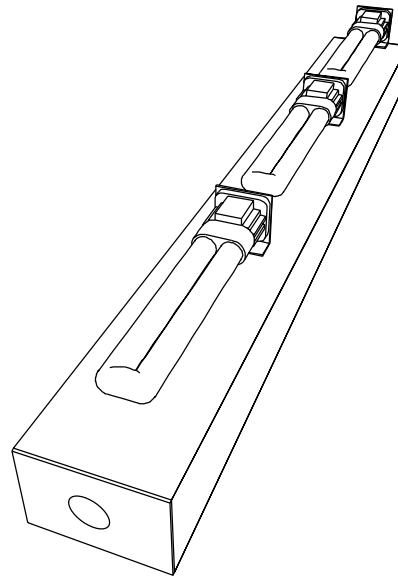
230 / CF13 - In-Line Lamps / Integral HPF Magnetic Ballast



Side View
Scale: 1:4

End View
Scale: 1:4

	* Module Length
Number Lamps	1 8.000"
	3 24.000"
	6 48.000"
	12 96.000"



Perspective View
Scale: NTS

Notes

1-Fixture ambient temperature **not to exceed** 100°F. Fixture is NYC approved Calendar No. 37559.

2-Unless otherwise specified, all exposed metal parts to have a standard semi-gloss White painted finish. Consult factory for alternate finishes.

3-Lamps provided by others. Recommended Lamps to be 13 watt compact fluorescent. Warning, risk of fire. Do not exceed maximum recommended wattage.

4-Fixture provided with Ø.875" knockout centered on each end cap.

5-Fixture is intended to be powered by integral high power factor magnetic ballast; **primary voltage as specified.**

Finishes	
<input type="checkbox"/>	WH White Paint (Std)
<input type="checkbox"/>	Custom (Specify)
Power Option	
<input type="checkbox"/>	120 VAC
<input type="checkbox"/>	277 VAC



Starfire Lighting, Inc.

7 Donna Drive, Wood-Ridge, NJ 07075
 (201) 438-9540 FAX: (201) 438-9541
 Toll Free: (800) 443-8823
 E-Mail: info@starfirelighting.com

Date:	Starfire Agent:	Drawing No: 0124
-------	-----------------	----------------------------

Project:

Specified by:

All designs and scale drawings shall remain the property of STARFIRE LIGHTING, INC., and may not be reproduced or transmitted without the expressed written consent of the manufacturer.

STARFIRE LIGHTING, INC. reserves the right to make changes on approved designs to facilitate manufacturing methods to the extent that such changes do not compromise design integrity.

TECHTRAC™ CF

Compact Fluorescent

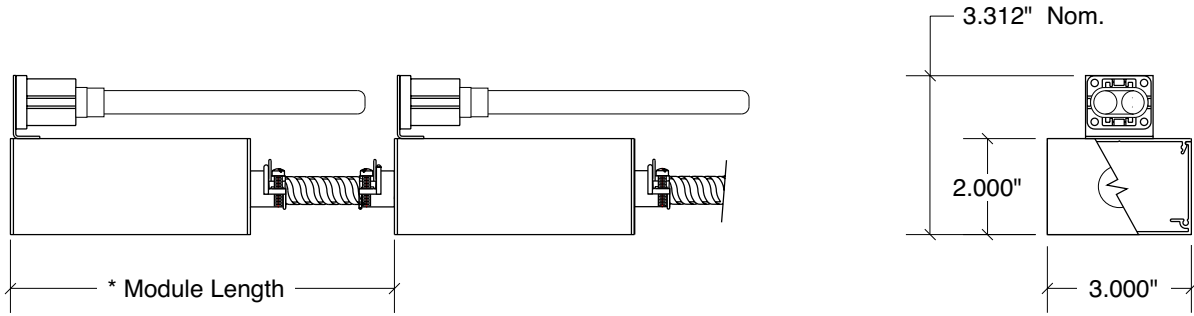
Product Code:

230 - CF13H - _____ - 8 - _____ - FLX
 (Length) (Spacing) (Finish)

Fixture Type:

230 / CF13 - In-Line Lamps, Flex / Integral HPF Magnetic Ballast

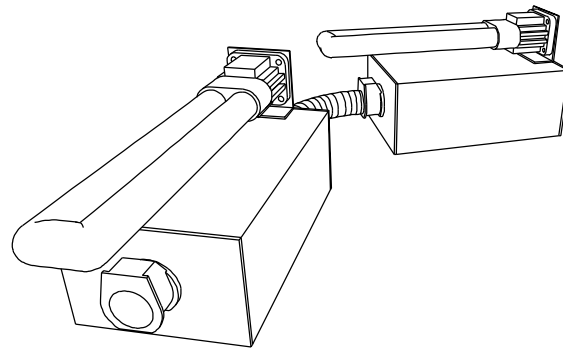
CF13



Side View
Scale: 1:4

End View
Scale: 1:4

		* Module Length
Number Lamps	1	8.000"
	3	24.000"
	6	48.000"
	12	96.000"



Perspective View
Scale: NTS

Notes

1-Fixture ambient temperature **not to exceed** 100° F. Fixture is NYC approved Calendar No. 37559.

2-Unless otherwise specified, all exposed metal parts to have a standard semi-gloss White painted finish. Consult factory for alternate finishes.

3-Lamps provided by others. Recommended Lamps to be 13 watt compact fluorescent. Warning, risk of fire. Do not exceed maximum recommended wattage.

4-Fixture provided with Ø.875" knockout centered on each end cap.

5-Fixture is intended to be powered by integral high power factor magnetic ballast; **primary voltage as specified.**

6-Special mounting requirements may apply. Consult factory for details.



Finishes	
<input type="checkbox"/>	WH White Paint (Std)
<input type="checkbox"/>	Custom (Specify)
Power Option	
<input type="checkbox"/>	120 VAC
<input type="checkbox"/>	277 VAC



Starfire Lighting, Inc.

7 Donna Drive, Wood-Ridge, NJ 07075
 (201) 438-9540 FAX: (201) 438-9541
 Toll Free: (800) 443-8823
 E-Mail: info@starfirelighting.com

Date:	Starfire Agent:	Drawing No: 0125
-------	-----------------	----------------------------

Project:

Specified by:

All designs and scale drawings shall remain the property of STARFIRE LIGHTING, INC., and may not be reproduced or transmitted without the expressed written consent of the manufacturer.

STARFIRE LIGHTING, INC. reserves the right to make changes on approved designs to facilitate manufacturing methods to the extent that such changes do not compromise design integrity.

TECHTRAC™ CF

Compact Fluorescent

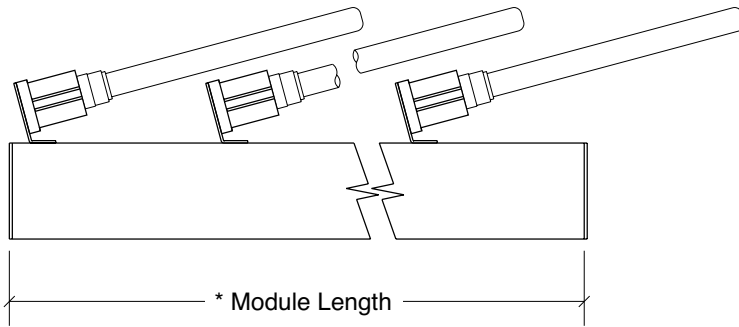
Product Code:

230 - CF13H - _____ - 4 - _____ - OVR
 (Length) (Spacing) (Finish)

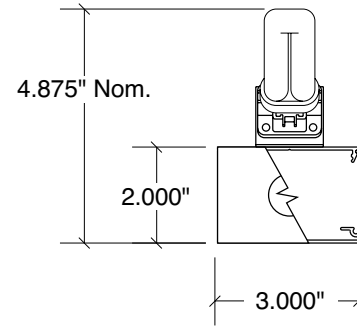
Fixture Type:

CF13

230 / CF13 - In-Line Lamps, Overlap / Integral HPF Magnetic Ballast

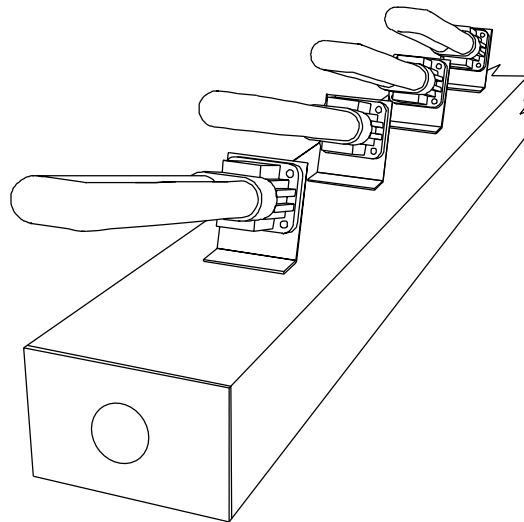


Side View
Scale: 1:4



End View
Scale: 1:4

		* Module Length
Number Lamps	2	8.000"
	6	24.000"
	12	48.000"
	24	96.000"
Allow 4" at end of run for relamping		



Perspective View
Scale: NTS

Notes

1-Fixture ambient temperature **not to exceed** 100° F. Fixture is NYC approved Calendar No. 37559.

2-Unless otherwise specified, all exposed metal parts to have a standard semi-gloss White painted finish. Consult factory for alternate finishes.

3-Lamps provided by others. Recommended Lamps to be 13 watt compact fluorescent. Warning, risk of fire. Do not exceed maximum recommended wattage.

4-Fixture provided with Ø.875" knockout centered on each end cap.

5-Fixture is intended to be powered by integral high power factor magnetic ballast; **primary voltage as specified.**

6-Special mounting requirements may apply. Consult factory for details.

Finishes	
<input type="checkbox"/> WH	White Paint (Std)
<input type="checkbox"/>	Custom (Specify)
Power Option	
<input type="checkbox"/>	120 VAC
<input type="checkbox"/>	277 VAC



Starfire Lighting, Inc.

7 Donna Drive, Wood-Ridge, NJ 07075
 (201) 438-9540 FAX: (201) 438-9541
 Toll Free: (800) 443-8823
 E-Mail: info@starfirelighting.com

Date:

Starfire Agent:

Drawing No:

0126

Project:

Specified by:

All designs and scale drawings shall remain the property of STARFIRE LIGHTING, INC., and may not be reproduced or transmitted without the expressed written consent of the manufacturer.

STARFIRE LIGHTING, INC. reserves the right to make changes on approved designs to facilitate manufacturing methods to the extent that such changes do not compromise design integrity.

TECHTRAC™ CF

Compact Fluorescent

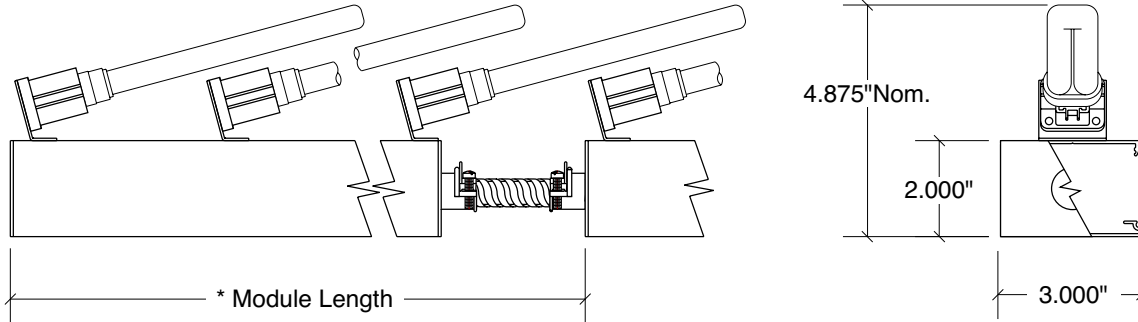
Product Code:

230 - CF13H - _____ - 4 - _____ - OVR - FLX
 (Length) (Spacing) (Finish)

Fixture Type:

230 / CF13 - In-Line Lamps, Overlap Flex / Integral HPF Magnetic Ballast

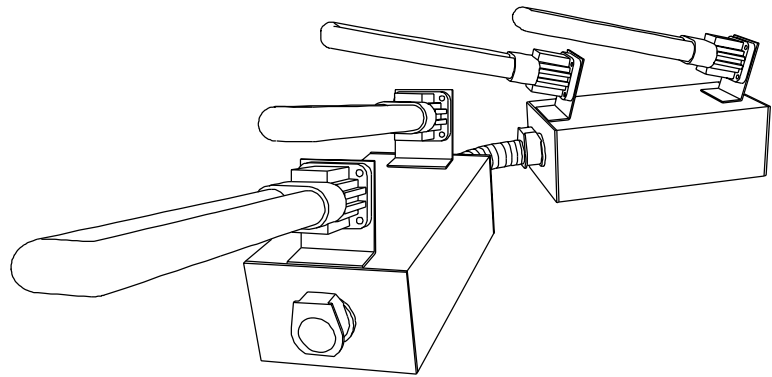
CF13



Side View
Scale: 1:4

End View
Scale: 1:4

		* Module Length
Number Lamps	2	8.000"
	6	24.000"
	12	48.000"
	24	96.000"
Allow 4" at end of run for relamping		



Perspective View
Scale: NTS

Notes

1-Fixture ambient temperature **not to exceed** 100° F. Fixture is NYC approved Calendar No. 37559.

2-Unless otherwise specified, all exposed metal parts to have a standard semi-gloss White painted finish. Consult factory for alternate finishes.

3-Lamps provided by others. Recommended Lamps to be 13 watt compact fluorescent. Warning, risk of fire. Do not exceed maximum recommended wattage.

4-Fixture provided with Ø.875" knockout centered on each end cap.

5-Fixture is intended to be powered by integral high power factor magnetic ballast; **primary voltage as specified.**

6-Special mounting requirements may apply. Consult factory for details.



Finishes	
<input type="checkbox"/>	WH White Paint (Std)
<input type="checkbox"/>	Custom (Specify)
Power Option	
<input type="checkbox"/>	120 VAC
<input type="checkbox"/>	277 VAC

Starfire Lighting, Inc.
 7 Donna Drive, Wood-Ridge, NJ 07075
 (201) 438-9540 FAX: (201) 438-9541
 Toll Free: (800) 443-8823
 E-Mail: info@starfirelighting.com

Date:	Starfire Agent:	Drawing No: 0127
Project:		
Specified by:		

All designs and scale drawings shall remain the property of STARFIRE LIGHTING, INC., and may not be reproduced or transmitted without the expressed written consent of the manufacturer.

STARFIRE LIGHTING, INC. reserves the right to make changes on approved designs to facilitate manufacturing methods to the extent that such changes do not compromise design integrity.