

# STARTAPE™



## INSTALLATION INSTRUCTIONS

**Important:** Product is UL listed ONLY when used with a Class 2 Transformer. Remove UL label from product if Class 2 Transformer is not used.

### **IMPORTANT: DO NOT PLUG STARTAPE DIRECTLY INTO 120 VOLTS**

Use low voltage compatible dimmer only (contact distributor).

**STARTAPE** is a low-voltage product and must be powered from a transformer.

The maximum run of standard 1 watt **STARTAPE** is 120 lamps or 75 feet, which ever occurs first.

For 2 watt option: 75 lamps, 50 feet.

At that point, a new power feed to the transformer must be made.

## MOUNTING INSTRUCTIONS

1. **BE SURE ALL ELECTRICAL POWER IS OFF.**
2. **STARTAPE** is flexible and will follow a curve. If a sharp horizontal turn is desired, such as a 90° bend, fold **STARTAPE** as shown in Fig. 1.
3. **STARTAPE** may be adhesively or mechanically mounted (see Fig. 2). For adhesive mounting with **TL-DFT** Double Face Tape, the surface must be clean and free of oils and grease. Peel off protective paper and press into place.  
**STARTAPE** may also be secured with **TL-MCP** Mounting Clip.
4. **STARTAPE** can be cut to length as necessary. Cap cut end with **EC** End Cap.

## WIRING INSTRUCTIONS

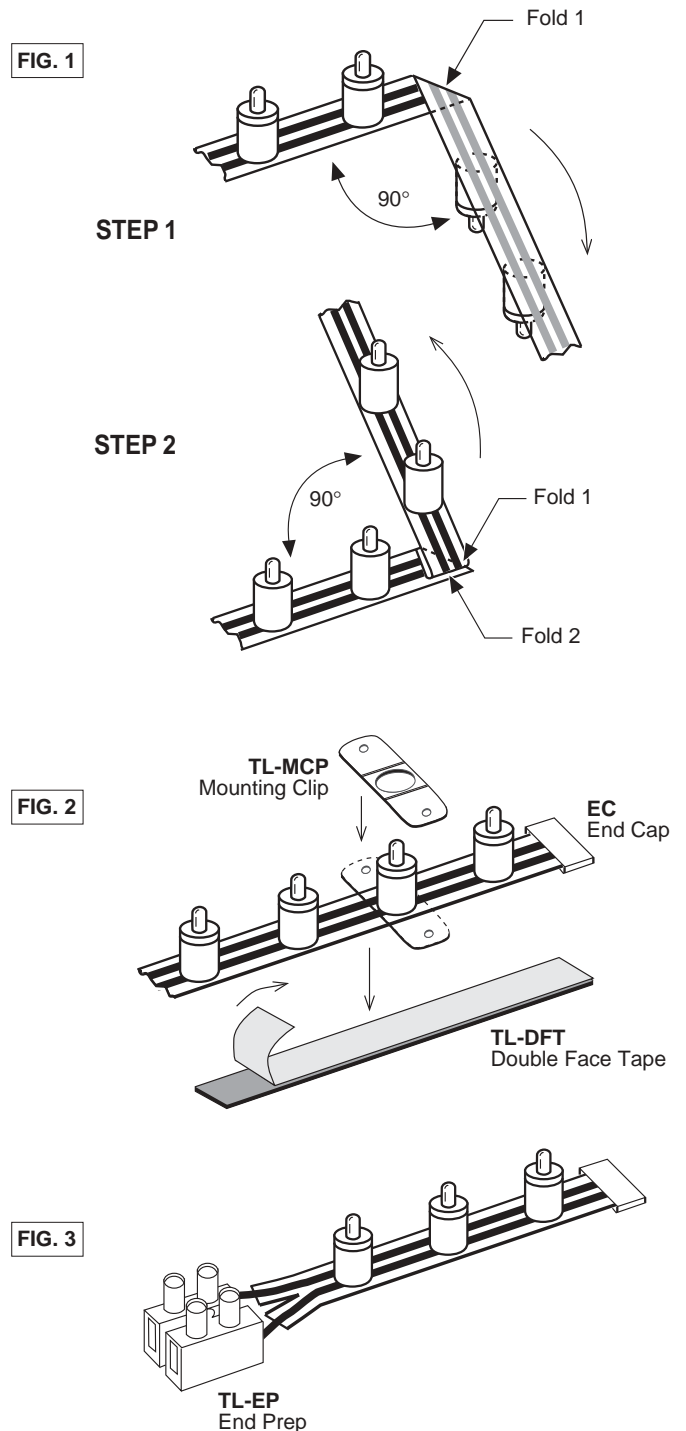
### PRE-WIRED

1. Connect **STARTAPE** to secondary feed of 24 volt transformer.

### FIELD WIRED

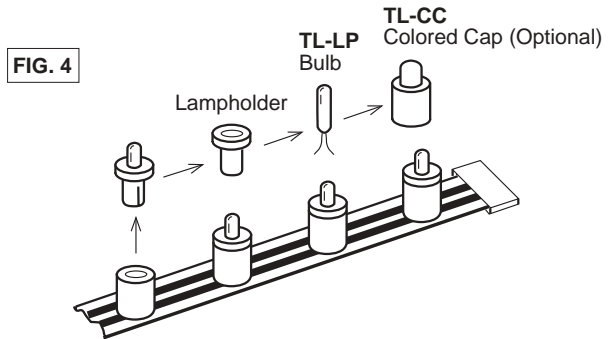
1. Cut off required length of **STARTAPE**, taking care to cut the ends SQUARE.
2. Split end of clear insulation 1". Strip both halves 1/2" to expose conductors. Fold conductor ends with needlenose pliers as shown (see Fig. 3).
3. Insert a **TL-EP** End Prep onto each bare conductor. Tighten screw onto conductor end. Insert #18 AWG wire into other end.
4. Attach an end cap over the free end of the **STARTAPE**.
5. If **STARTAPE** runs are to be joined together, add a **TL-EP** End Prep connector to each free end per Step 3.
6. **STARTAPE** is powered by connection to a 24 volt transformer.

**NOTE:** Observe the maximum lamp and transformer limitations per run.



## BULB REPLACEMENT

1. Pull out the lampholder as shown (see Fig. 4).
2. Remove the bulb from the lampholder by carefully unbending the leads.
3. Insert the new bulb and bend up the leads. Replace lampholder.

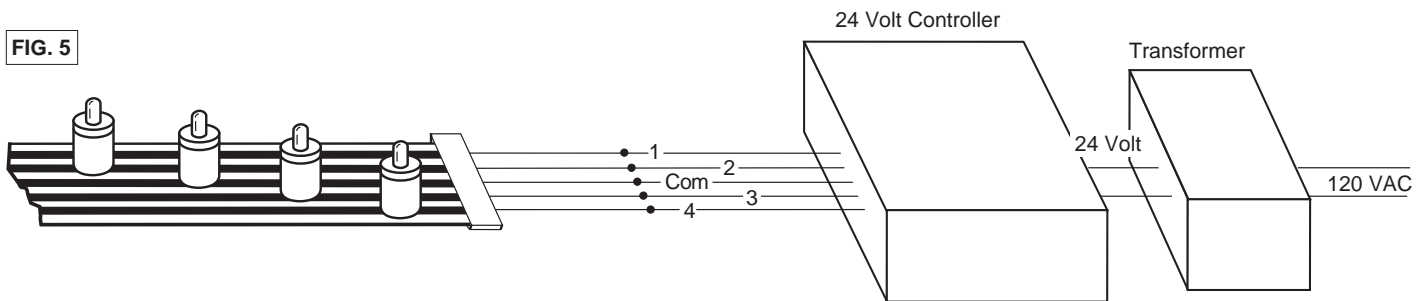


**CAUTION: DO NOT CONNECT STARTAPE DIRECTLY TO 120 VOLTS!  
USE LOW VOLTAGE COMPATIBLE DIMMER ONLY. (CONTACT DISTRIBUTOR)**

## 4 CHANNEL WIRING

Channel 1	Channel 2	Channel 3	Channel 4	Common
White	Black	Green	Red	Brown

FIG. 5



## SINGLE CIRCUIT TRANSFORMERS

CATALOG NO.	TRANSFORMER	MAX. NO. LAMPS	
		STD. 1 WATT	2 WATT OPTION
TR-40	40 VA plug-in	35	20
TR-100	100VA	90	50
TR-250	250VA	220	100
TR-500	500VA	440	250
TR-1000	1000VA	880	500
TR-2000	2000VA	1760	1000

## 4 CHANNEL CONTROLLERS

MODEL	MAX. NO. LAMPS	
	STD. 1 WATT	2 WATT OPTION
EC-1	300	150
EC-4	600	300
BB-1	1200	600

Transformers are UL Listed or Recognized.

The MAXIMUM RUN per power feed is 120 Standard lamps or 75 Brite lamps (2 watt) .

## STARTAPE WATERPROOFING INSTRUCTIONS

1. For outdoor installation **TL-CC** Caps are required.
2. Locate 3" sections of heat shrink tubing, enclosed.
3. Slide heat shrink section over the end of one of **STARTAPE**, beyond the point of connection.
4. Make electrical connection, (see Fig. 3). Center heat shrink tubing over connection.
5. Power **STARTAPE** to make sure that all of the electrical connections are sound.
6. When the electrical connections check, apply heat gun. Make sure that the tubing is fully shrunk to provide a watertight seal.