

CHANDELIER

INSTALLATION INSTRUCTIONS

- IMPORTANT:**
- Please read all the instructions before beginning installation
 - Do not remove protective paper from fixture faceplate until the instructions say to do so!
 - Be sure all electrical power is off

MOUNTING AND WIRING

1. Remove faceplate by unscrewing capnuts. Note the orientation of the faceplate for reinstallation, indicated by matching arrows on the canopy and faceplate paper.
2. Bring 120 volt AC power from service box through wireway in canopy. Mount canopy to ceiling with toggle bolts (provided) or appropriate hardware. **Do not mount to service box.**
3. Downlight mounting: (Optional)

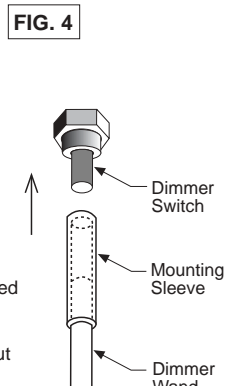
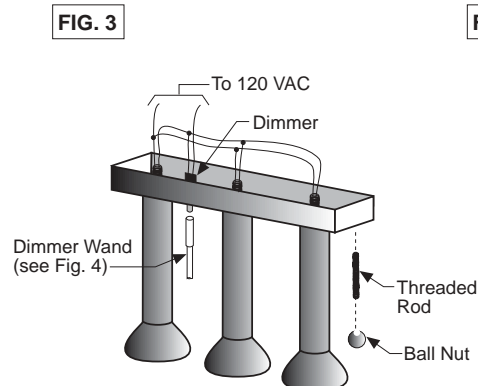
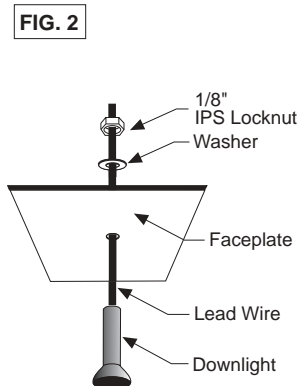
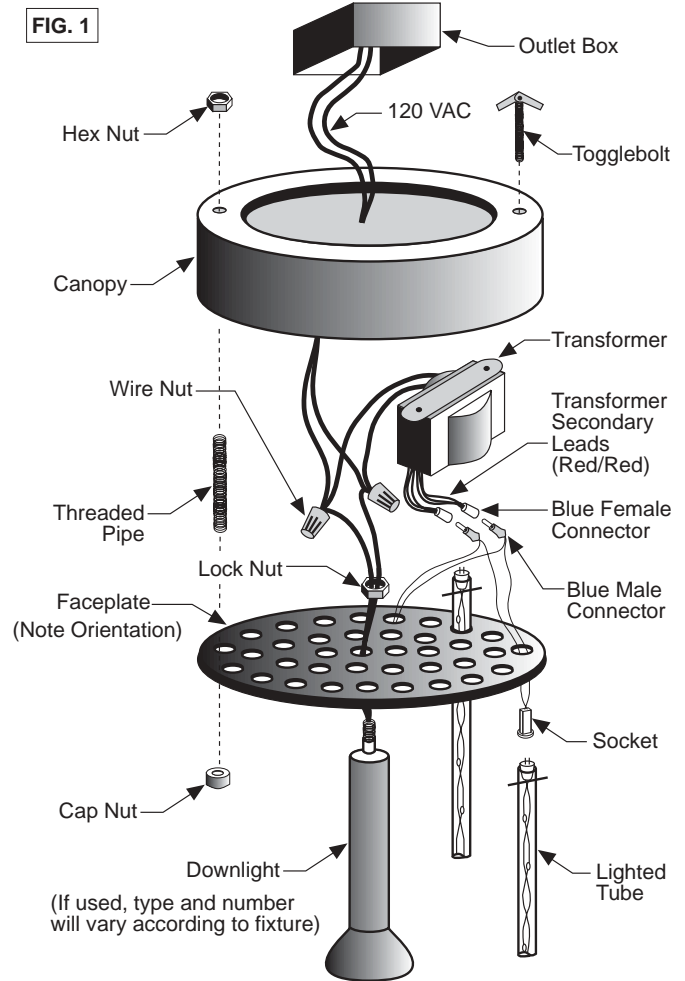
SINGLE DOWNLIGHT

- Pass downlight lead wires through the wireway provided for this purpose in the faceplate. If present, connect dimmer in series with downlight loads (see Fig. 2).
- Attach downlight assembly to faceplate with enclosed hardware.

MULTIPLE DOWNLIGHT

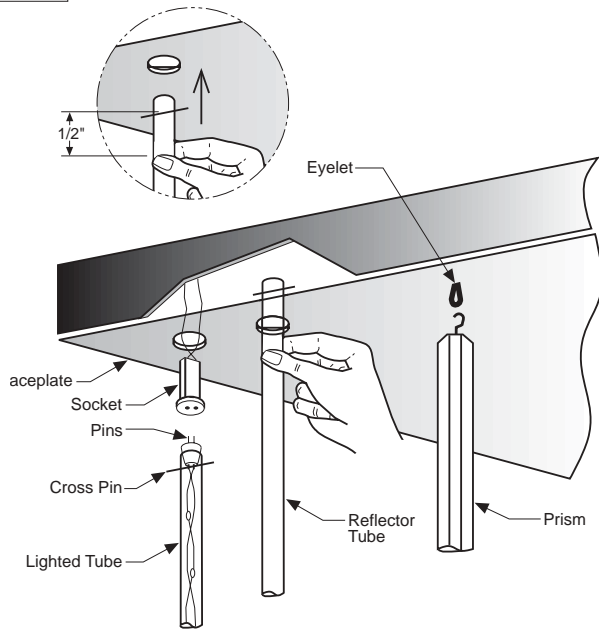
- Downlight lead wires should be inserted through hole in the faceplate. (see Fig. 3).
 - 10-32 threaded rod is screwed into two rivnuts in the faceplate.
 - Slip downlight assembly over running threads and secure to the faceplate with the ball nuts provided.
4. Attach black and white primary leads from transformer and downlight leads (if present) to ceiling service with wirenuts. Plug blue connectors on secondary leads from transformer to mated connectors on faceplate. Larger canopies may contain multiple transformers, each with a pair of blue female connectors. The faceplate will contain an identical number of sub-harnesses. Connect each sub-harness to a transformer output.

5. Replace the faceplate and capnuts. Note orientation.
6. If equipped with faceplate mounted dimmer, attach dimmer wand to dimmer shaft (see Fig. 4).
7. The protective paper on the faceplate contains important information defining element placement. It may be removed at any time, but the information on back of this page should be thoroughly understood before removal.



TUBES AND ELEMENTS

FIG. 5

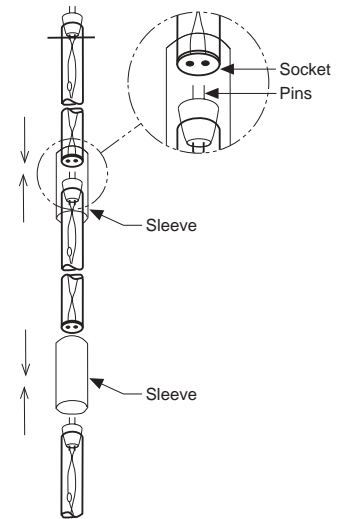


SLEEVES

Sleeves are employed to create lengths in excess of twelve feet.

Sleeves are usually mounted after the upper tube(s) are in place in the canopy. The oversize length is thus built from the top down. To install, place a sleeve over the bottom of an upper tube, sliding halfway up its length. (Sleeves are easy to slip on, but once in place are nearly impossible to remove or rotate. Therefore pre-alignment of the pin and socket connectors is critical.) Taking care to align the pins with their mating socket, you may slide the lower tube up until the tubes are fully joined.

To remove a tube, cut the sleeve with a razor. A new sleeve will be required to remount a new tube.



NOTE: Tubes and prisms are installed working from the center of the faceplate outward, the longest tubes (or prisms) to the shortest.

SPIRAL CHANDELIERS

1. Hanging elements (lighted tubes and either reflector tubes or prisms) are packed in two groups. There is a numbered group of increasing lengths and a "skirt" group of equal length. Lighted tubes alternate with either reflector tubes or prisms within each group.
2. Starting with the longest tube (#1) of the numbered group, insert into the center hole. Continue outward along the spiral path with #2, #3 etc. Insert skirt group into outer ring.

TIERED CHANDELIERS

1. Hanging elements (lighted tubes and either reflector tubes or prisms) are packed into groups of similar length. The tiered effect is created with the longest group in the center of the faceplate, with progressively shorter concentric groups toward the outside. The protective paper on the faceplate is marked with the tier boundaries. In addition, the connectors within the various grouped areas are shipped with wire ties of like color to help define the boundaries.
2. Arrange groups in size order. Insert into appropriate holes or eyelets starting with the longest length in the center and working outward. Insert one complete group before starting the next.

TUBE INSTALLATION

1. Holes in fixture faceplate with a socket accept lighted tubes; holes without sockets accept reflector tubes. Prisms hook into plastic eyelets.
2. Carefully insert pins into socket.
3. **Hold tube 1/2" below nylon crosspin** (see Fig. 5). Push tube into faceplate until crosspin collapses through hole. Crosspin will restraighten as it clears hole. Your hand will prevent over-insertion and possible damage. Tubes may be removed by pulling downward.

PROFILES



STEM MOUNT

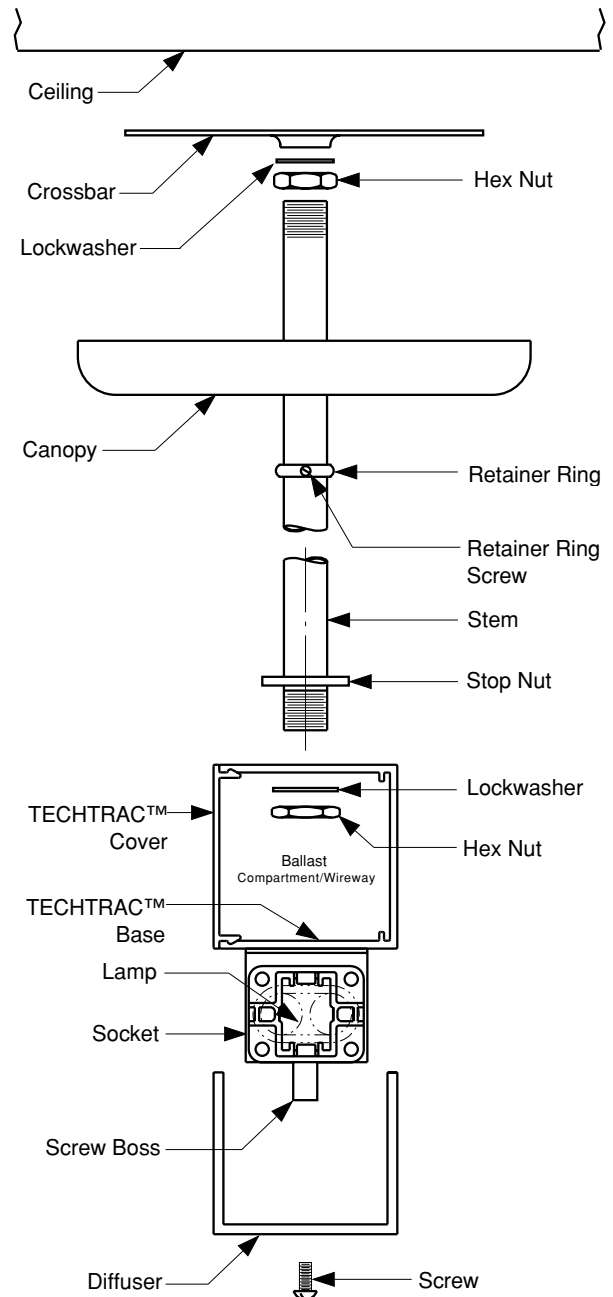
INSTALLATION INSTRUCTIONS

CAUTION: Turn Power off before beginning installation!

This fixture is UL listed. When installing fixture, conform to all applicable codes.

MOUNTING INSTRUCTIONS

1. At location of power connection, mount **Crossbar** to **Outlet Box** using **Screws** provided with **Outlet Box**; at other support locations, mount **Crossbar** to **Ceiling** using appropriate hardware. An optional Hickey (not shown) is provided for center stud mounting.
2. Screw **Stem** into **Crossbar**; lock **Stem** into place with **Lockwasher** and 1/4IP **Hex Nut** as shown.
3. Place **Canopy** and **Retainer Ring** over **Stem** as shown. **Locate Canopy** against **Ceiling** and lock in place with **Retainer Ring**.
4. Position **Stop Nut** over lower end of **Stem**.
5. With **Cover** removed, position **TECHTRAC™ Base** over **Stem** and lock in place with **Lockwasher** & **Hex Nut**. Re-install **TECHTRAC™ Cover**.
6. Repeat as required to provide proper support for **TECHTRAC™ Fixture**.
7. Install recommended CF-13 **Lamps** as required (Lamps are not provided with Fixture).
8. Place **Diffuser** over **TECHTRAC™** aligning holes in **Diffuser** with those in **Screw Bosses**. Secure with **Screws**.
9. Make electrical connections: white fixture lead to white supply lead; black fixture lead to black supply lead. Connect fixture to suitable ground in **Outlet Box**.



7 Donna Drive, Wood-Ridge, NJ 07075
800-443-8823 FAX: 201-438-9541

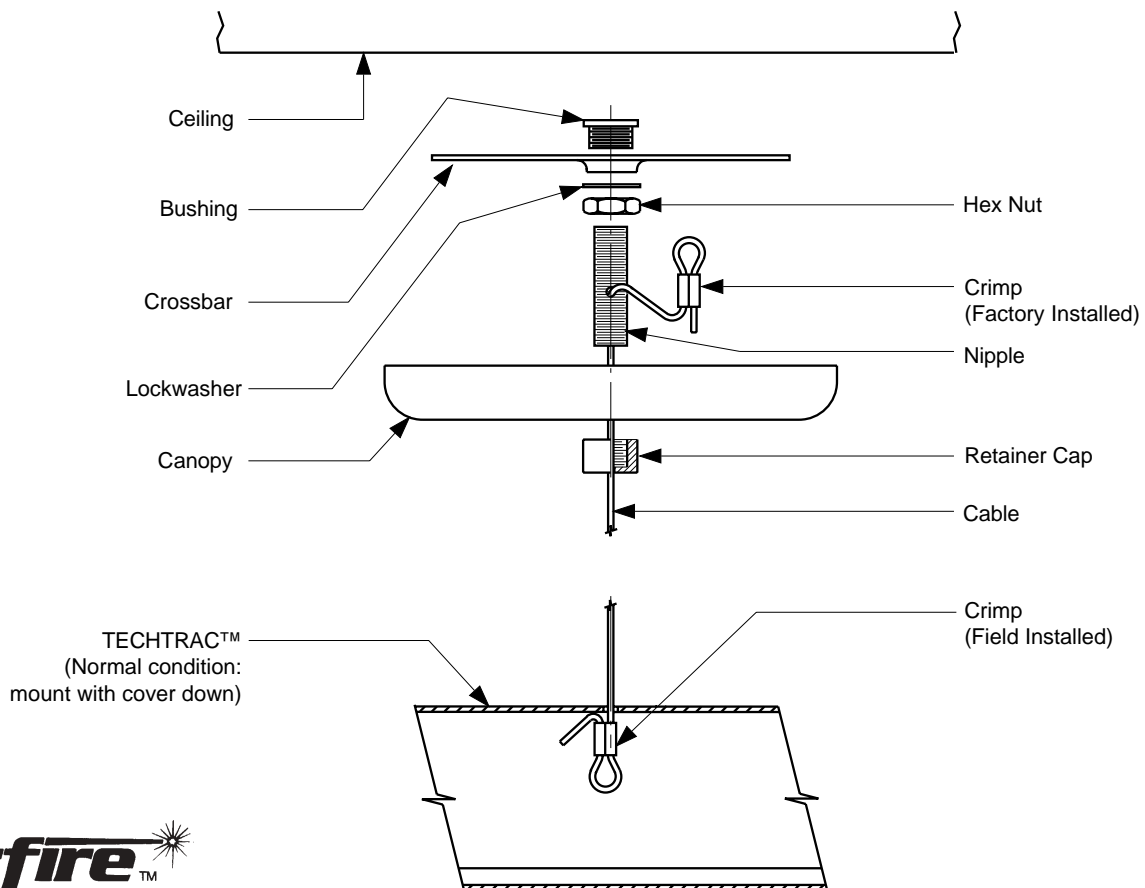
CABLE MOUNT

MECHANICAL INSTALLATION INSTRUCTIONS

CAUTION: Shut off power before making any electrical connections!

MOUNTING INSTRUCTIONS

1. At location of power connection, mount **Crossbar** to **Outlet Box** using **Screws** provided with **Outlet Box**; at other support locations, mount **Crossbar** to **Ceiling** using appropriate hardware.
2. Screw **Stem** into **Crossbar**; lock Stem into place with Lockwasher and 1/4IP Hex Nut as shown.
3. Place **Canopy** and **Retainer Ring** over **Stem** as shown. **Locate Canopy** against Ceiling and lock in place with Retainer Ring.
4. **Position Stop Nut** over lower end of **Stem**.
5. With **Cover** removed, position **TECHTRAC™** Base over Stem and lock in place with Hex Nut. Re-install **TECHTRAC™** Cover.
6. Repeat as required to provide proper support for **TECHTRAC™** Fixture.
7. Install Lamps as required (Lamps are not provided with Fixture).
8. Place Diffuser over **TECHTRAC™** aligning holes in Diffuser with those Screw Bosses. Secure with Screw.
9. Make electrical connections in accordance with federal, state and local codes.



starfire[™]
LIGHTING INCORPORATED

7 Donna Drive, Wood-Ridge, NJ 07075
800-443-8823 FAX: 201-438-9541